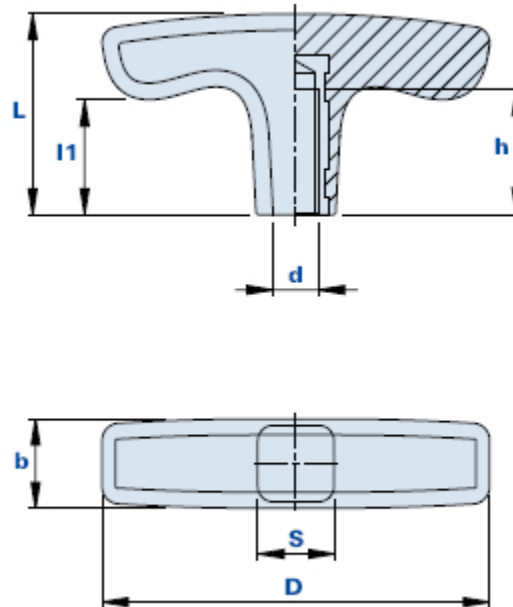


T handgrip with blind threaded bush



Code	Description	Dimensions					Insert		Weight grams	Stock
		D	b	L	l1	S	d	h		
01MTB55C	MTB 55 M6	56	14	32	19	13x13	M6	16	18	√
01MTB67C	MTB 67 M6	68	14	32	19	15x15	M6	22	26	√
01MTB67D	MTB 67 M8	68	16	35	20	15x15	M8	22	25	√
01MTB80D	MTB 80 M8	81	20	39	20	18x18	M8	22	40	√
01MTB80E	MTB 80 M10	81	20	39	20	18x18	M10	22	38	√
01MTB80F	MTB 80 M12	81	20	39	20	18x18	M12	22	36	√

Material

Polyamide-based (PA) technopolymer. Resistant to organic and inorganic chemical substances such as oils, greases, fuels and solvents.

Colour

Black with satin finish. Other colours for suitable quantities.

Insert

Brass. Special inserts on design, on request for suitable quantities.

Package

25 - 50 - 100 pcs.