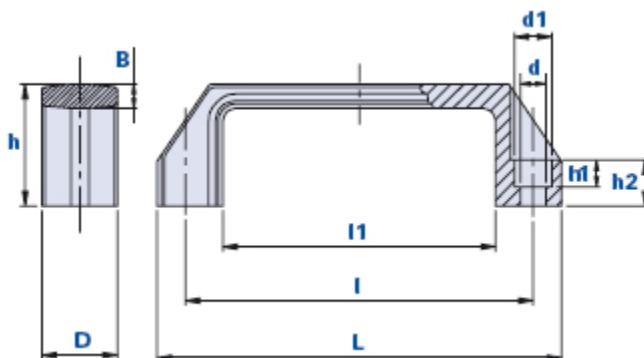


MU117



Bridge handle with built-in seat and fixing through cylindrical head screws



Code	Description	Dimensions							Hole			Weight grams	Stock
		L	D	h	B	l1	l	h2	d	h1	d1		
01MU117C	MU117 D.6,5	134	25	40	8	90	117	15	6,5	9	12,5	48	√
01MU117D	MU117 D.8,5	134	25	40	8	90	117	15	8,5	9	12,5	48	√

Material

Polyamide-based (PA) technopolymer. Resistant to organic and inorganic chemical substances such as oils, greases, fuels and solvents.

Colour

Black with satin finish.

Assembly

With cylindrical head screws with built-in hexagon.

Package

10 - 50 - 100 pcs.