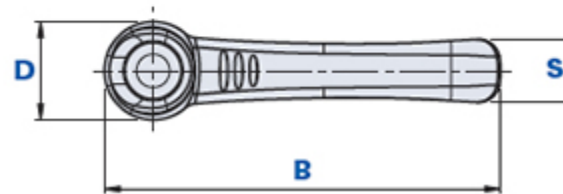
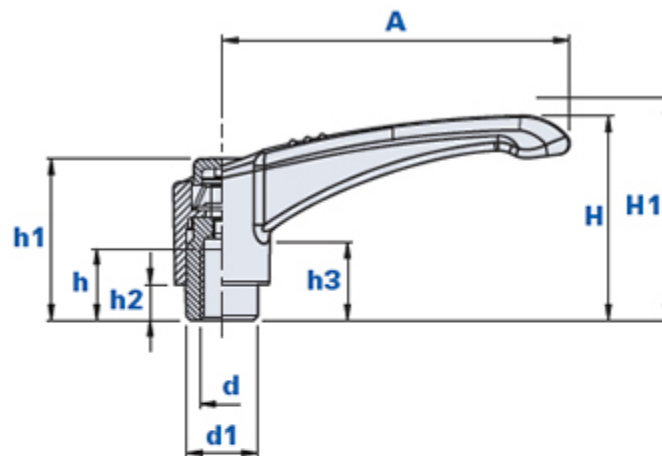


Adjustable clamping lever with threaded bush



How to order:

Example: clamping lever code 01NH45B with yellow button = code 01NH45B-G

Black button: Cod. + N	Yellow button: Cod. + G	Red button: Cod. + R	Green button: Cod. + V	Blue button: Cod. + B	Orange button: Cod. + A	Grey button: Cod. + GR
----------------------------------	-----------------------------------	--------------------------------	----------------------------------	---------------------------------	-----------------------------------	----------------------------------

Code	Description	Dimensions										Insert		Weight grams	Stock
		A	B	D	S	H	H1	h1	h3	d1	h2	d	h		
01NH45B...	NH-B 45 M5	45	53	16	10,5	33,5	3,5	29	18	12	7,5	M5	12	22	√
01NH45C...	NH-B 45 M6	45	53	16	10,5	33,5	3,5	29	18	12	7,5	M6	12	24	√
01NH65C...	NH-B 65 M6	65	75	19,5	13,5	41	3,5	34	19	15	7,5	M6	14	26	√
01NH65D...	NH-B 65 M8	65	75	19,5	13,5	41	3,5	34	19	15	7,5	M8	14	24	√
01NH80D...	NH-B 80 M8	80	92	24	16,5	52	4,5	44,5	26	20	12	M8	20	55	√
01NH80E...	NH-B 80 M10	80	92	24	16,5	52	4,5	44,5	26	20	12	M10	20	56	√
01NH80F...	NH-B 80 M12	80	92	24	16,5	52	4,5	44,5	26	20	12	M12	20	57	√
01NH95F...	NH-B 95 M12	95	109,5	28	19	61	4,5	51	30	22	13	M12	25	83	√
01NH95N...	NH-B 95 M14	95	109,5	28	19	61	4,5	51	30	22	13	M14	25	94	√
01NH95P...	NH-B 95 M16	95	109,5	28	19	61	4,5	51	30	22	13	M16	18	89	√

Clamping element and lever material

Polyamide-based (PA) technopolymer. Resistant to organic and inorganic chemical substances such as oils, greases fuels and solvents.

Clamping lever colour

Black with satin finish.

Other colours for suitable quantities.

Clamping element colour

Black.

Bush

Galvanized steel. Special inserts on design and/or in brass on request, for suitable quantities.

Return spring

Burnished steel.

Stop screw

Galvanized steel. It can be used for the assembly of the lever with nut-runner.

Screw cover button

Technopolymer with satin finish. Standard colour: orange RAL 2004. Other available colours: black RAL 7021, yellow RAL 1021, red RAL 3020, green RAL 6018, blue RAL 5015, grey RAL 7035.

Customization of the button with client's logo for suitable quantities.

Package

10 - 50 - 100 pcs.