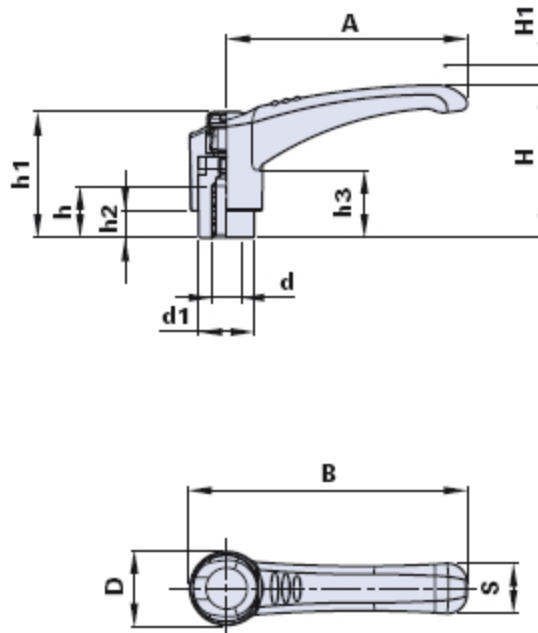


## Adjustable clamping lever with threaded bush in nickel-plated brass



### How to order:

Example: clamping lever code 01NH45CN with yellow button = code 01NH45CN-G

Black button:	Yellow button:	Red button:	Green button:	Blue button:	Orange button:	Grey button:
Cod. + <b>N</b>	Cod. + <b>G</b>	Cod. + <b>R</b>	Cod. + <b>V</b>	Cod. + <b>B</b>	Cod. + <b>A</b>	Cod. + <b>GR</b>

Code	Description	Dimensions										Insert		Weight grams	Stock
		A	B	D	S	H	H1	h1	h3	d1	h2	d	h		
01NH45CN...	NH-BN 45 M6	45	53	16	10,5	33,5	3,5	29	18	12	7,5	M6	12	12	√
01NH65DN...	NH-BN 65 M8	65	75	19,5	13,5	41	3,5	34,5	19	15	7,5	M8	14	24	√
01NH80DN...	NH-BN 80 M8	80	92	24	16,5	52	4,5	44,5	26	20	12	M10	20	45	√
01NH80EN...	NH-BN 80 M10	80	92	24	16,5	52	4,5	44,5	26	20	12	M10	20	56	√

### Clamping element and lever material

Polyamide-based (PA) technopolymer. Resistant to organic and inorganic chemical substances such as oils, greases, fuels and solvents.

### Clamping lever colour

Black with satin finish. Other colours for suitable quantities.

### Clamping element colour

Black.

### Bush

Nickel-plated brass. Special inserts on design on request for suitable quantities.

**Return spring**

Stainless steel AISI 302.

**Stop screw**

Stainless steel AISI 304. It can be used for the assembly of the lever with nut-runner.

**Screw cover button**

Technopolymer with satin finish.

Standard colour: orange RAL 2004. Other available colours: black RAL 7021, yellow RAL 1021, red RAL 3020, green RAL 6018, blue RAL 5015, grey RAL 7035.

Customization of the button with client's logo for suitable quantities.

**Package**

10 - 50 - 100 pcs.