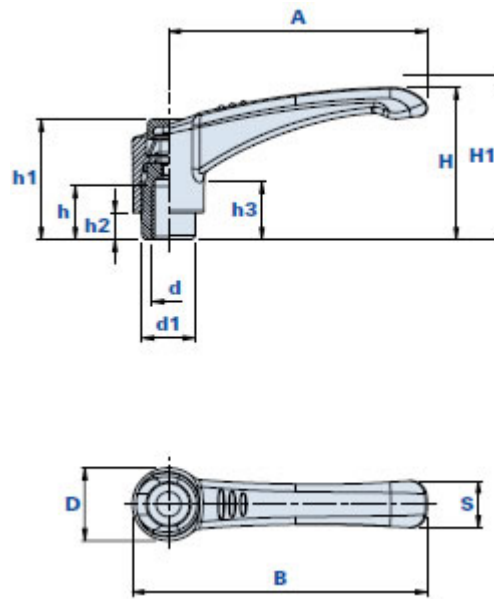


NHA-B



Metal adjustable clamping lever with threaded bush



How to order:

Example: clamping lever code 01NHA45B with yellow button = code 01NHA45B-Y

Black button:	Yellow button:	Red button:	Green button:	Blue button:	Orange button:	Grey button:
Cod. + N	Cod. + Y	Cod. + R	Cod. + V	Cod. + B	Cod. + A	Cod. + G

Code	Description	Dimensions										Insert		Weight grams	Stock
		A	B	D	S	H	H1	h1	h3	d1	h2	d	h		
01NHA45B..	NHA-B 45 M5	45	52	13,6	9,4	30	34	25	10,5	10	4,2	M5	8	28	√
01NHA45C..	NHA-B 45 M6	45	52	13,6	9,4	30	34	25	10,5	10	4,2	M6	8	27	√
01NHA60B..	NHA-B 60 M5	62,5	71	18	12	38,5	42,5	30,5	18	13,5	6	M5	10	68	√
01NHA60C..	NHA-B 60 M6	62,5	71	18	12	38,5	42,5	30,5	18	13,5	6	M6	11	66	√
01NHA60D..	NHA-B 60 M8	62,5	71	18	12	38,5	42,5	30,5	18	13,5	6	M8	11	64	√
01NHA78D..	NHA-B 78 M8	77,5	88	21	14	46	50	36	20	16	8	M8	16	110	√
01NHA78E..	NHA-B 78 M10	77,5	88	21	14	46	50	36	20	16	8	M10	16	107	√
01NHA78F..	NHA-B 78 M12	77,5	88	21	14	46	50	36	20	16	8	M12	16	102	√
01NHA92E..	NHA-B 92 M10	92	104	24	16,5	53,5	57	42	25	19	9,5	M10	20	166	√
01NHA92F..	NHA-B 92 M12	92	104	24	16,5	53,5	57	42	25	19	9,5	M12	20	160	√
01NHA92N..	NHA-B 92 M14	92	104	24	16,5	53,5	57	42	25	19	9,5	M14	20	155	√
01NHA92P..	NHA-B 92 M16	92	104	24	16,5	53,5	57	42	25	19	9,5	M16	20	150	√
01NHA45BA..	NHA-B 45 M5 RAL 2004	45	52	13,6	9,4	30	34	25	10,5	10	4,2	M5	8	28	√
01NHA45CA..	NHA-B 45 M6 RAL 2004	45	52	13,6	9,4	30	34	25	10,5	10	4,2	M6	8	27	√
01NHA60BA..	NHA-B 60 M5 RAL 2004	62,5	71	18	12	38,5	42,5	30,5	18	13,5	6	M5	10	68	√
01NHA60CA..	NHA-B 60 M6 RAL 2004	62,5	71	18	12	38,5	42,5	30,5	18	13,5	6	M6	11	66	√
01NHA60DA..	NHA-B 60 M8 RAL 2004	62,5	71	18	12	38,5	42,5	30,5	18	13,5	6	M8	11	64	√
01NHA78DA..	NHA-B 78 M8 RAL 2004	77,5	88	21	14	46	50	36	20	16	8	M8	16	110	√



Thenar Srl - Via della Costituzione, 66 - 42015 Correggio (RE) Italy

Tel. +39 0522 740511 - Fax +39 0522 740555 - info@thenar.it - www.thenar.it

THENAR models are reserved property under the law - Non-reproducible drawings unless the source is cited.

01NHA78EA..	NHA-B 78 M10 RAL 2004	77,5	88	21	14	46	50	36	20	16	8	M10	16	107	√
01NHA78FA..	NHA-B 78 M12 RAL 2004	77,5	88	21	14	46	50	36	20	16	8	M12	16	102	√
01NHA92EA..	NHA-B 92 M10 RAL 2004	92	104	24	16,5	53,5	57	42	25	19	9,5	M10	20	166	√
01NHA92FA..	NHA-B 92 M12 RAL 2004	92	104	24	16,5	53,5	57	42	25	19	9,5	M12	20	160	√
01NHA92NA..	NHA-B 92 M14 RAL 2004	92	104	24	16,5	53,5	57	42	25	19	9,5	M14	20	155	√
01NHA92PA..	NHA-B 92 M16 RAL 2004	92	104	24	16,5	53,5	57	42	25	19	9,5	M16	20	150	√

The Standard Code 01NHA45B is for a black handle without button.

The Code 01NHA45BA is for orange handle without button.

Clamping lever material

Die-cast zinc alloy with epoxide resin painting.

Clamping lever colour

Black RAL 9005 with satin finish. Orange RAL 2004 with shiny finish. Other colours for suitable quantities.

Bush

Galvanized steel with tothing, directly obtained.

Special inserts on design and/or in brass, on request for suitable quantities.

Return spring

Burnished steel.

Stop screw

Galvanized steel. It can be used for the assembly of the lever with nut-runner.

Screw cover button

Technopolymer with satin finish.

Standard colour: orange RAL 2004 for black lever and black RAL 7021 for orange lever. Other available colours: yellow RAL 1021, red RAL 3020, green RAL 6018, blue RAL 5015, grey RAL 7035.

Customization of the button with client's logo for suitable quantities.

Package

10 - 50 - 100 pcs.