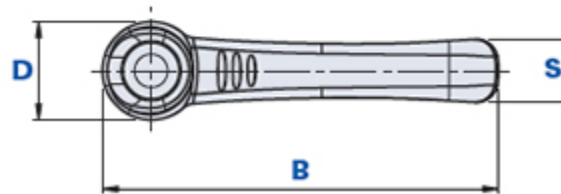
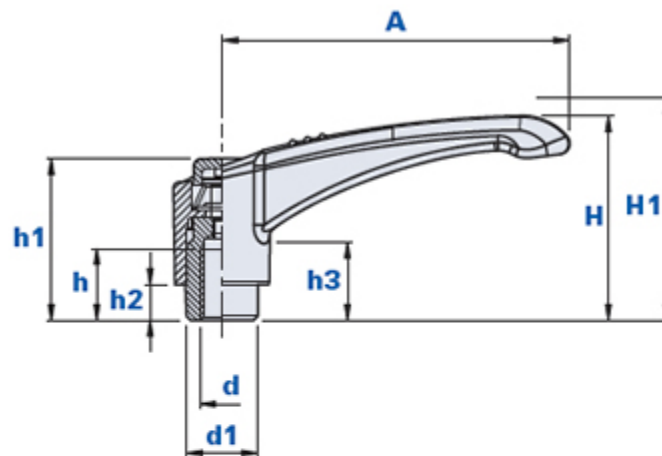


Adjustable clamping lever with threaded bush



How to order:

Example: clamping lever code 01NHE45BO with yellow button = code 01NHE45BO-G

Black button: Cod. + N	Yellow button: Cod. + G	Red button: Cod. + R	Green button: Cod. + V	Blue button: Cod. + B	Orange button: Cod. + A	Grey button: Cod. + GR
----------------------------------	-----------------------------------	--------------------------------	----------------------------------	---------------------------------	-----------------------------------	----------------------------------

Code	Description	Dimensions										Insert		Weight grams	Stock
		A	B	D	S	H	H1	h1	h3	d1	h2	d	h		
01NHE45BO...	NHE-B 45 M5	45	53	16	10,5	33,5	3	28,5	18	12	7	M5	12	22	-
01NHE45CO...	NHE-B 45 M6	45	53	16	10,5	33,5	3	28,5	18	12	7	M6	12	20	-
01NHE65CO...	NHE-B 65 M6	65	75	20	13,5	41	3,5	34	19	15	7,5	M6	14	24	√
01NHE65DO...	NHE-B 65 M8	65	75	20	13,5	41	3,5	34	19	15	7,5	M8	14	22	√
01NHE80DO...	NHE-B 80 M8	80	92	24	16,5	53	4,5	44	26	20	12	M8	20	41	√
01NHE80EO...	NHE-B 80 M10	80	92	24	16,5	53	4,5	44	26	20	12	M10	20	40	√
01NHE80FO...	NHE-B 80 M12	80	92	24	16,5	53	4,5	44	26	20	12	M12	20	39	√

Clamping element and lever material

Polyamide-based (PA) technopolymer. Resistant to organic and inorganic chemical substances such as oils, greases fuels and solvents.

Clamping lever colour

Black with satin finish.
Other colours for suitable quantities.

Clamping element colour

Black.

Bush

Brass. Special inserts on design on request, for suitable quantities.

Return spring

Burnished steel.

Screw cover button

Technopolymer with satin finish. Standard colour: orange RAL 2004. Other available colours: black RAL 7021, yellow RAL 1021, red RAL 3020, green RAL 6018, blue RAL 5015, grey RAL 7035.

Customization of the button with client's logo for suitable quantities.

Package

10 - 50 - 100 pcs.