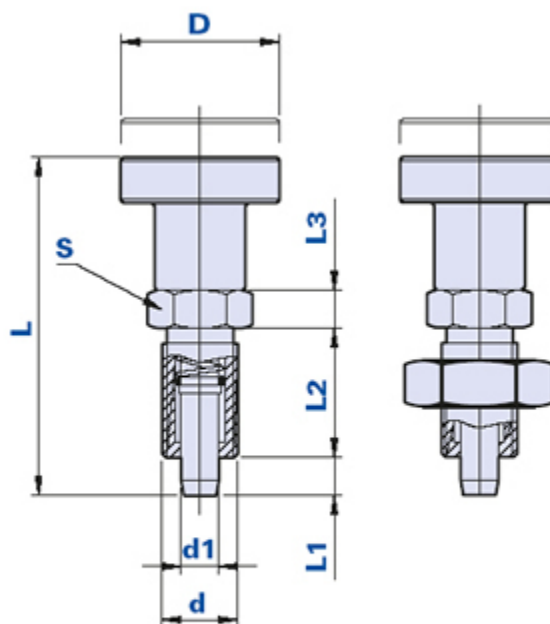


# OT716



## Indexing plunger



0121710

0121710-1

Code	Description	Dimensions								Weight grams	Stock
		D	L	S	d	L1	L2	d1	L3		
0121710	OT716 D.5 M10x1	21	44	12	M10x1	5	17	5	5	17,1	√
0121710-1	OT716-1 D.5 M10x1	21	44	12	M10x1	5	17	5	5	24,7	√

### Knob material

Polyamide-based (PA) technopolymer. Resistant to organic and inorganic chemical substances such as oils, greases, fuels and solvents.

### Tip and metallic body material

Galvanized steel. Special executions or in stainless steel, on request for suitable quantities.

### Knob colour

Red with satin finish.

### Use

In rest position it locks the rotation or the sliding. By pulling up the knob, the loosening is obtained.

### Remarks

We suggest to make the drilling for the tip with tolerance H7.

### Package

10 - 50 - 100 pcs.



Thenar Srl - Via della Costituzione, 66 - 42015 Correggio (RE) Italy

Tel. +39 0522 740511 - Fax +39 0522 740555 - info@thenar.it - www.thenar.it

THENAR models are reserved property under the law - Non-reproducible drawings unless the source is cited.