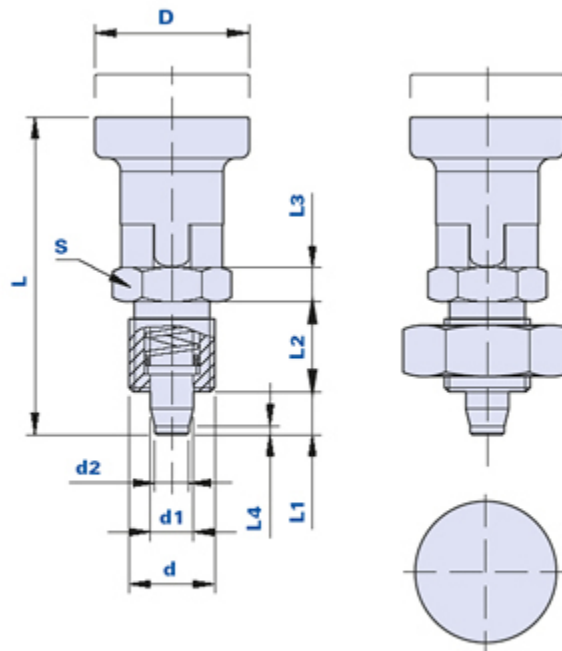


OTB227



Indexing plunger



01-55227

01-55227-1

Dimensions

Code	Description	Dimensions										Weight grams	Stock
		D	L	S	d	L1	L2	d1	L3	d2	L4		
01-55227	OTB227 D.5 M10X1.25	17,5	37	12	M10x1.25	5	10,5	5	4	5	1	13,8	√
01-55227-1	OTB227-1 D.5 M10X1.25	17,5	37	12	M10x1.25	5	10,5	5	4	5	1	21,3	√

Knob material

Polyamide-based (PA) technopolymer. Resistant to organic and inorganic chemical substances such as oils, greases, fuels and solvents.

Tip and metallic body material

Galvanized Steel. Special executions or in stainless steel on request for suitable quantities.

Knob colour

Orange RAL 2004 with satin finish.

Use

In rest position it locks the rotation or the sliding. By pulling up the knob, the loosening is obtained. By rotating it by 90°, the pin is locked.

Remarks

We suggest to make the drilling for the tip with tolerance H7.

Package

10 - 50 - 100 pcs.



Thenar Srl - Via della Costituzione, 66 - 42015 Correggio (RE) Italy

Tel. +39 0522 740511 - Fax +39 0522 740555 - info@thenar.it - www.thenar.it

THENAR models are reserved property under the law - Non-reproducible drawings unless the source is cited.