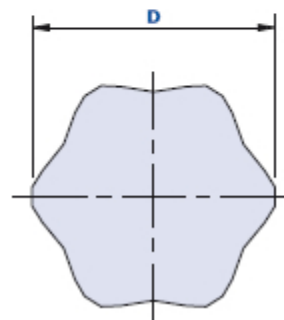
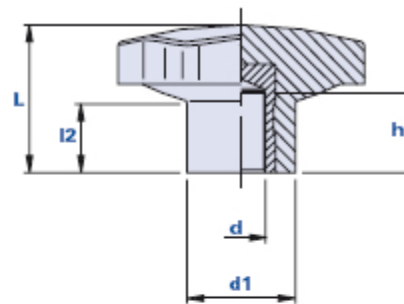


## 6-lobe knob with blind threaded bush



Code	Description	Dimensions				Insert		Weight grams	Stock
		D	L	d1	l2	d	h		
01PB2A	PB2 M4	20	17	13	10	M4	10	5	√
01PB2B	PB2 M5	20	17	13	10	M5	10	7	√
01PB2C	PB2 M6	20	17	13	10	M6	10	7	√
01PB3B	PB3 M5	30	21	16	12	M5	12	12	√
01PB3C	PB3 M6	30	21	16	12	M6	12	19	√
01PB3D	PB3 M8	30	21	16	12	M8	12	25	√
01PB3BC	PB3B M6	35	24	18	13	M6	12	11	√
01PB3BD	PB3B M8	35	24	18	13	M8	12	13	√
01PB4C	PB4 M6	40	27	20	14	M6	14	24	√
01PB4D	PB4 M8	40	27	20	14	M8	14	26	√
01PB4E	PB4 M10	40	27	20	14	M10	14	56	√
01PB4F	PB4 M12	40	27	20	14	M12	14	30	√
01PB4BE	PB4B M10	45	29	22	15	M10	16	36	√
01PB5C	PB5 M6	50	30	22	16	M6	16	40	√
01PB5D	PB5 M8	50	30	22	16	M8	16	43	√
01PB5E	PB5 M10	50	30	22	16	M10	16	40	√
01PB5F	PB5 M12	50	30	22	16	M12	16	37	√
01PB6D	PB6 M8	60	33	25	15	M8	16	62	√
01PB6E	PB6 M10	60	33	25	15	M10	16	60	√
01PB6F	PB6 M12	60	33	25	15	M12	16	57	√
01PB7D	PB7 M8	70	41	30	19	M8	16	96	√

<b>01PB7E</b>	PB7 M10	70	41	30	19	M10	16	95	√
<b>01PB7F</b>	PB7 M12	70	41	30	19	M12	16	95	√
<b>01PB7N</b>	PB7 M14	70	41	30	19	M14	16	93	√
<b>01PB8E</b>	PB8 M10	80	44	32	22	M10	20	125	√
<b>01PB8F</b>	PB8 M12	80	44	32	22	M12	20	125	√
<b>01PB8N</b>	PB8 M14	80	44	32	22	M14	20	125	√
<b>01PB8P</b>	PB8 M16	80	44	32	22	M16	20	127	√
<b>01PB9E</b>	PB9 M10	90	50	35	24	M10	20	185	√
<b>01PB9F</b>	PB9 M12	90	50	35	24	M12	20	170	√
<b>01PB9N</b>	PB9 M14	90	50	35	24	M14	20	176	√
<b>01PB9P</b>	PB9 M16	90	50	35	24	M16	20	190	√

#### Material

High resistance phenolyc-based (PF) duroplast. Resistant to organic and inorganic chemical substances such as oils, greases, fuels and solvents.

#### Colour

Black with shiny finish.

#### Insert

Brass. Special inserts on design, on request for suitable quantities.

#### Package

PB 2/3/3B/4: 25 - 100 - 200 pcs.

PB 5/6/7: 10 - 50 - 100 pcs.

PB 8/9: 1 - 10 - 50 pcs.