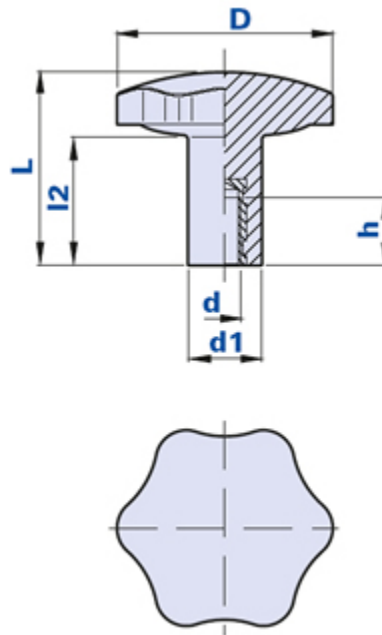


# PB7L



## 6-lobe knob with high hub and blind threaded bush



Code	Description	Dimensions				Insert		Weight grams	Stock
		D	L	d1	l2	d	l		
01PB7LE	PB7L M10	70	62,5	24	41	M10	12,5	101	√

### Material

High resistance phenolic-based (PF) duroplast. Resistant to organic and inorganic chemical substances such as oils, greases, fuels and solvents.

### Colour

Black with shiny finish.

### Insert

Brass.

### Package

10-50-100 pcs.