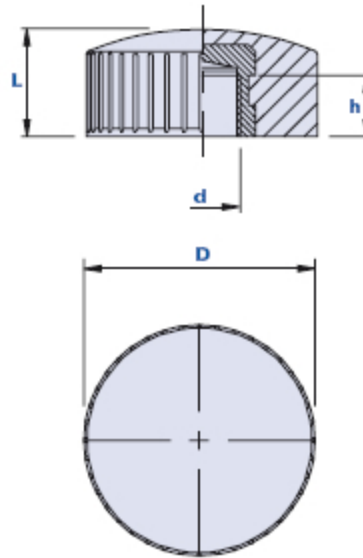


Knurled grip knob with blind threaded bush



Code	Description	Dimensions		Insert		Weight grams	Stock
		D	L	d	h		
01PBIE	PBI/30 M10	30	14	M10	8	16	√

Material

High resistance phenolyc-based (PF) duroplast.

Resistant to organic and inorganic chemical substances such as oils, greases, fuels and solvents.

Colour

Black with shiny finish.

Insert

Brass.

Remarks

Article available while stocks last.

Package

25 - 50 - 100 pcs.