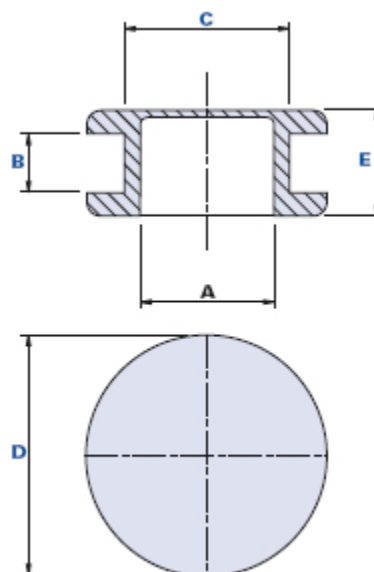


## Closed hole cables-holder with membrane



Code	Description	Dimensions					Weight grams	Stock
		A	B	C	D	E		
PC060110	PC D.14 A=6	6	1	10	14	6	0,0005	√
PC060610	PC D.14 A=6	6	6	10	14	11	0,0005	√
PC090112	PC D.16 A=9	9	1	12	16	6	0,0015	√
PC090212	PC D.16 A=9	9	2	12	16	7	0,0015	√
PC090511	PC D.16 A=9	9	5	11	16	10	0,002	√
PC090812	PC D.16 A=9	9	8	12	16	13	0,002	√
PC120618	PC D.21 A=12	12	6	18	21	11	0,002	√
PC160221	PC D.25 A=16	16	2	21	25	7	0,002	√
PC160821	PC D.25 A=16	16	8	21	25	13	0,002	√
PC180222	PC D.27 A=18	18	2	22	27	7	0,002	√
PC240529	PC D.36 A=24	24	5	29	36	10	0,003	√

### Material

Polyvinylchloride-based (PVC) technopolymer. Resistant to organic and inorganic chemical substances such as oils, greases, fuels and solvents.

### Hardness

63 SHORE.

### Colour

Black.

### Package

100 - 200 - 500 pcs.