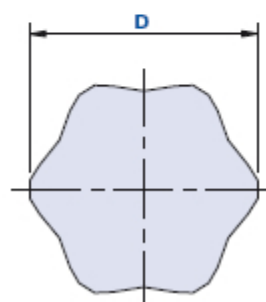
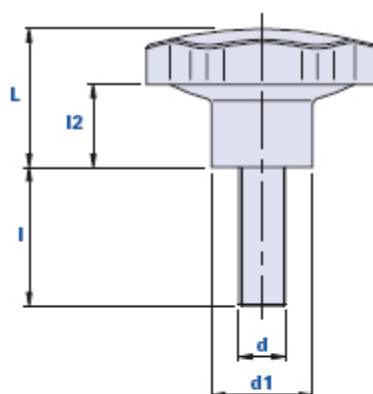


6-lobe knob with threaded pin



Code	Description	Dimensions				Insert		Weight grams	Stock
		D	L	d1	l2	d	l		
01PF2B10	PF2 M5x10	20	17	13	10	M5	10	9	-
01PF2B20	PF2 M5x20	20	17	13	10	M5	20	9	√
01PF2B30	PF2 M5x30	20	17	13	10	M5	30	9	√
01PF2B40	PF2 M5x40	20	17	13	10	M5	40	10	√
01PF2B50	PF2 M5x50	20	17	13	10	M5	50	10	√
01PF2C10	PF2 M6x10	20	17	13	10	M6	10	9	√
01PF2C15	PF2 M6x15	20	17	13	10	M6	15	9	-
01PF2C20	PF2 M6x20	20	17	13	10	M6	20	10	-
01PF2C30	PF2 M6x30	20	17	13	10	M6	30	13	√
01PF2C40	PF2 M6x40	20	17	13	10	M6	40	15	√
01PF2C50	PF2 M6x50	20	17	13	10	M6	50	16	-
01PF3C10	PF3 M6x10	30	21	16	12	M6	10	14	√
01PF3C15	PF3 M6x15	30	21	16	12	M6	15	15	√
01PF3C20	PF3 M6x20	30	21	16	12	M6	20	16	√
01PF3C25	PF3 M6x25	30	21	16	12	M6	25	17	√
01PF3C30	PF3 M6x30	30	21	16	12	M6	30	18	√
01PF3C35	PF3 M6x35	30	21	16	12	M6	35	19	√
01PF3C40	PF3 M6x40	30	21	16	12	M6	40	19	√
01PF3D15	PF3 M8x15	30	21	16	12	M8	15	17	√
01PF3D20	PF3 M8x20	30	21	16	12	M8	20	19	√
01PF3D25	PF3 M8x25	30	21	16	12	M8	25	21	√

01PF3D35	PF3 M8x35	30	21	16	12	M8	35	21	√
01PF3D40	PF3 M8x40	30	21	16	12	M8	40	21	-
01PF3D50	PF3 M8x50	30	21	16	12	M8	50	21	-
01PF3BD15	PF3B M8x15	35	24	18	14	M8	15	15	√
01PF3BD20	PF3B M8x20	35	24	18	14	M8	20	17	√
01PF4C10	PF4 M6x10	40	27	20	16	M6	10	28	√
01PF4C25	PF4 M6x25	40	27	20	16	M6	25	28	√
01PF4C30	PF4 M6x30	40	27	20	16	M6	30	28	-
01PF4C35	PF4 M6x35	40	27	20	16	M6	35	28	-
01PF4C40	PF4 M6x40	40	27	20	16	M6	40	31	√
01PF4D15	PF4 M8x15	40	27	20	16	M8	15	34	√
01PF4D20	PF4 M8x20	40	27	20	16	M8	20	36	√
01PF4D25	PF4 M8x25	40	27	20	16	M8	25	36	√
01PF4D30	PF4 M8x30	40	27	20	16	M8	30	41	√
01PF4D35	PF4 M8x35	40	27	20	16	M8	35	41	√
01PF4D40	PF4 M8x40	40	27	20	16	M8	40	43	√
01PF4D50	PF4 M8x50	40	27	20	16	M8	50	46	√
01PF4D55	PF4 M8x55	40	27	20	16	M8	55	46	-
01PF4D60	PF4 M8x60	40	27	20	16	M8	60	46	-
01PF4E20	PF4 M10x20	40	27	20	16	M10	20	46	√
01PF4E25	PF4 M10x25	40	27	20	16	M10	25	49	√
01PF4E30	PF4 M10x30	40	27	20	16	M10	30	50	√
01PF4E40	PF4 M10x40	40	27	20	16	M10	40	50	-
01PF4E45	PF4 M10x45	40	27	20	16	M10	45	50	√
01PF4E50	PF4 M10x50	40	27	20	16	M10	50	50	-
01PF4E60	PF4 M10x60	40	27	20	16	M10	60	50	√
01PF5D15	PF5 M8x15	50	30	22	18	M8	15	50	√
01PF5D20	PF5 M8x20	50	30	22	18	M8	20	52	√
01PF5D25	PF5 M8x25	50	30	22	18	M8	25	53	√
01PF5D30	PF5 M8x30	50	30	22	18	M8	30	55	√
01PF5D35	PF5 M8x35	50	30	22	18	M8	35	57	√
01PF5D40	PF5 M8x40	50	30	22	18	M8	40	57	√
01PF5D50	PF5 M8x50	50	30	22	18	M8	50	57	-
01PF5D60	PF5 M8x60	50	30	22	18	M8	60	57	-
01PF5E20	PF5 M10x20	50	30	22	18	M10	20	65	√
01PF5E25	PF5 M10x25	50	30	22	18	M10	25	67	√
01PF5E30	PF5 M10x30	50	30	22	18	M10	30	69	√
01PF5E35	PF5 M10x35	50	30	22	18	M10	35	71	√
01PF5E40	PF5 M10x40	50	30	22	18	M10	40	74	√
01PF6D15	PF6 M8x15	60	33	25	20	M8	15	69	√
01PF6D20	PF6 M8x20	60	33	25	20	M8	20	71	√
01PF6D25	PF6 M8x25	60	33	25	20	M8	25	73	√
01PF6D30	PF6 M8x30	60	33	25	20	M8	30	75	√
01PF6D35	PF6 M8x35	60	33	25	20	M8	35	77	√
01PF6D40	PF6 M8x40	60	33	25	20	M8	40	79	√
01PF6D50	PF6 M8x50	60	33	25	20	M8	50	84	√
01PF6D60	PF6 M8x60	60	33	25	20	M8	60	84	√

01PF6D70	PF6 M8x70	60	33	25	20	M8	70	90	-
01PF6E20	PF6 M10x20	60	33	25	20	M10	20	77	√
01PF6E25	PF6 M10x25	60	33	25	20	M10	25	77	√
01PF6E30	PF6 M10x30	60	33	25	20	M10	30	80	√
01PF6E35	PF6 M10x35	60	33	25	20	M10	35	80	√
01PF6E40	PF6 M10x40	60	33	25	20	M10	40	80	√
01PF6E50	PF6 M10x50	60	33	25	20	M10	50	87	√
01PF6E60	PF6 M10x60	60	33	25	20	M10	60	87	√
01PF6E65	PF6 M10x65	60	33	25	20	M10	65	93	-
01PF6E70	PF6 M10x70	60	33	25	20	M10	70	96	√
01PF6F20	PF6 M12x20	60	33	25	20	M12	20	99	√
01PF6F25	PF6 M12x25	60	33	25	20	M12	25	99	√
01PF6F30	PF6 M12x30	60	33	25	20	M12	30	99	√
01PF6F35	PF6 M12x35	60	33	25	20	M12	35	104	√
01PF6F40	PF6 M12x40	60	33	25	20	M12	40	108	√
01PF6F45	PF6 M12x45	60	33	25	20	M12	45	110	√
01PF6F70	PF6 M12x70	60	33	25	20	M12	70	110	√
01PF6F80	PF6 M12x80	60	33	25	20	M12	80	110	√
01PF7E20	PF7 M10x20	70	41	30	24	M10	20	120	√
01PF7E25	PF7 M10x25	70	41	30	24	M10	25	120	√
01PF7E30	PF7 M10x30	70	41	30	24	M10	30	128	√
01PF7E35	PF7 M10x35	70	41	30	24	M10	35	130	√
01PF7E40	PF7 M10x40	70	41	30	24	M10	40	132	√
01PF7E50	PF7 M10x50	70	41	30	24	M10	50	135	√
01PF7E60	PF7 M10x60	70	41	30	24	M10	60	139	-
01PF7E70	PF7 M10x70	70	41	30	24	M10	70	141	√
01PF7F20	PF7 M12x20	70	41	30	24	M12	20	140	√
01PF7F25	PF7 M12x25	70	41	30	24	M12	25	140	√
01PF7F30	PF7 M12x30	70	41	30	24	M12	30	140	√
01PF7F35	PF7 M12x35	70	41	30	24	M12	35	142	√
01PF7F40	PF7 M12x40	70	41	30	24	M12	40	145	√
01PF7F45	PF7 M12x45	70	41	30	24	M12	45	147	√
01PF7F50	PF7 M12x50	70	41	30	24	M12	50	135	√
01PF7F60	PF7 M12x60	70	41	30	24	M12	60	135	√
01PF7F70	PF7 M12x70	70	41	30	24	M12	70	135	√
01PF8F30	PF8 M12x30	80	44	32	26	M12	30	117	-
01PF8F35	PF8 M12x35	80	44	32	26	M12	35	117	√
01PF8F40	PF8 M12x40	80	44	32	26	M12	40	120	-
01PF8F45	PF8 M12x45	80	44	32	26	M12	45	125	√
01PF8F55	PF8 M12x55	80	44	32	26	M12	55	125	√
01PF8F60	PF8 M12x60	80	44	32	26	M12	60	140	√
01PF8F80	PF8 M12x80	80	44	32	26	M12	80	150	√
01PF8N60	PF8 M14x60	80	44	32	26	M14	60	125	√
01PF9F30	PF9 M12x30	90	50	35	30	M12	30	200	-

Material



Thenar Srl - Via della Costituzione, 66 - 42015 Correggio (RE) Italy

Tel. +39 0522 740511 - Fax +39 0522 740555 - info@thenar.it - www.thenar.it

THENAR models are reserved property under the law - Non-reproducible drawings unless the source is cited.

High resistance phenolc-based (PF) duroplast. Resistant to organic and inorganic chemical substances such as oils, greases, fuels and solvents.

Colour

Black with shiny finish.

Insert

Galvanized steel. Special inserts on design and/or in brass, on request for suitable quantities.

Package

PF 2/3/3B/4: 25 - 100 - 200 pcs.

PF 5/6/7: 10 - 50 - 100 pcs.

PF 8/9: 1 - 10 - 50 pcs.