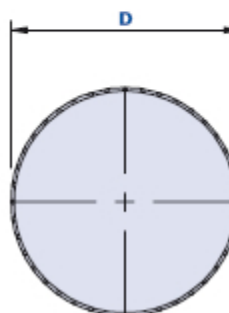
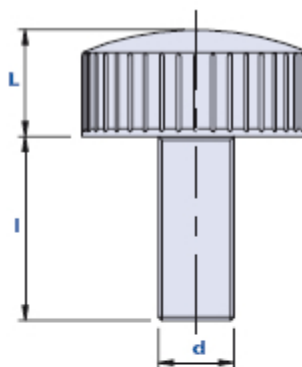


## Knurled grip knob with threaded pin



Code	Description	Dimensions		Insert		Weight grams	Stock
		D	L	d	l		
01PFIE20	PFI/30 M10x20	30	14	M10	20	22	√
01PFIE30	PFI/30 M10x30	30	14	M10	30	30	-
01PFIE40	PFI/30 M10x40	30	14	M10	40	38	√
01PFIE50	PFI/30 M10x50	30	14	M10	50	46	√

### Material

High resistance phenolyc-based (PF) duroplast.

Resistant to organic and inorganic chemical substances such as oils, greases, fuels and solvents.

### Colour

Black with shiny finish.

### Insert

Galvanized steel.

### Remarks

**Article available while stocks last.**

### Package

25 - 50 - 100 pcs.