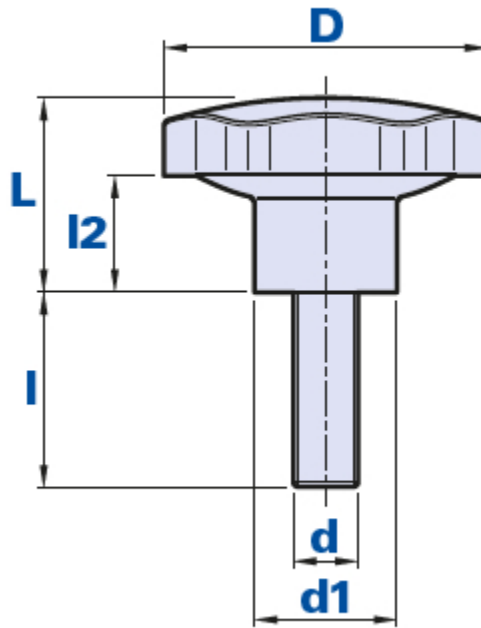


## 6-lobe knob with stainless steel threaded pin



inox

PF

-110  
-20

RoHS

Code	Description	Dimensions				Insert		Weight grams	Stock
		D	L	d1	I2	d	I		
01PF2B10X	PFX2 M5X10	20	17	13	10	M5	10	9	-
01PF2B20X	PFX2 M5X20	20	17	13	10	M5	20	9	√
01PF2B30X	PFX2 M5X30	20	17	13	10	M5	30	9	√
01PF2B40X	PFX2 M5X40	20	17	13	10	M5	40	10	√
01PF2C20X	PFX2 M6X20	20	17	13	10	M6	20	10	√
01PF2C30X	PFX2 M6X30	20	17	13	10	M6	30	13	√
01PF2C40X	PFX2 M6X40	20	17	13	10	M6	40	15	√
01PF3C10X	PFX3 M6X10	30	21	16	12	M6	10	14	√
01PF3C15X	PFX3 M6X15	30	21	16	12	M6	15	15	-
01PF3C20X	PFX3 M6X20	30	21	16	12	M6	20	16	-
01PF3C25X	PFX3 M6X25	30	21	16	12	M6	25	17	-
01PF3C30X	PFX3 M6X30	30	21	16	12	M6	30	18	-
01PF3C35X	PFX3 M6X35	30	21	16	12	M6	35	19	-
01PF3D15X	PFX3 M8X15	30	21	16	12	M8	15	17	√
01PF3D20X	PFX3 M8X20	30	21	16	12	M8	20	19	-
01PF3D25X	PFX3 M8X25	30	21	16	12	M8	25	21	√
01PF4C25X	PFX4 M6X25	40	27	20	16	M6	25	29	√
01PF4D15X	PFX4 M8X15	40	27	20	16	M8	15	35	√
01PF4D20X	PFX4 M8X20	40	27	20	16	M8	20	37	-
01PF4D25X	PFX4 M8X25	40	27	20	16	M8	30	42	√

<b>01PF4D30X</b>	PFX4 M8X30	40	27	20	16	M8	25	37	-
<b>01PF4D35X</b>	PFX4 M8X35	40	27	20	16	M8	35	43	-
<b>01PF4D40X</b>	PFX4 M8X40	40	27	20	16	M8	40	44	√
<b>01PF4D50X</b>	PFX4 M8X50	40	27	20	16	M8	50	47	-
<b>01PF5D40X</b>	PFX5 M8X40	50	30	22	18	M8	40	60	√
<b>01PF5E20X</b>	PFX5 M10X20	50	30	22	18	M10	20	66	-
<b>01PF5E30X</b>	PFX5 M10X30	50	30	22	18	M10	30	70	-
<b>01PF5E40X</b>	PFX5 M10X40	50	30	22	18	M10	40	75	-
<b>01PF6D20X</b>	PFX6 M8X20	60	33	25	20	M8	20	72	√
<b>01PF6E20X</b>	PFX6 M10X20	60	33	25	20	M5	20	79	-
<b>01PF6E30X</b>	PFX6 M10X30	60	33	25	20	M5	30	82	-
<b>01PF6E40X</b>	PFX6 M10X40	60	33	25	20	M5	40	85	-
<b>01PF6E50X</b>	PFX6 M10X50	60	33	25	20	M5	50	89	-

#### Material

High resistance phenolyc-based (PF) duroplast. Resistant to organic and inorganic chemical substances such as oils, greases, fuels and solvents.

#### Colour

Black with shiny finish.

#### Insert

Stainless steel AISI 304.

#### Package

PFX 2/3/4: 100 - 200 - 500 pcs.

PFX 5/6: 50 - 100 - 200 pcs.