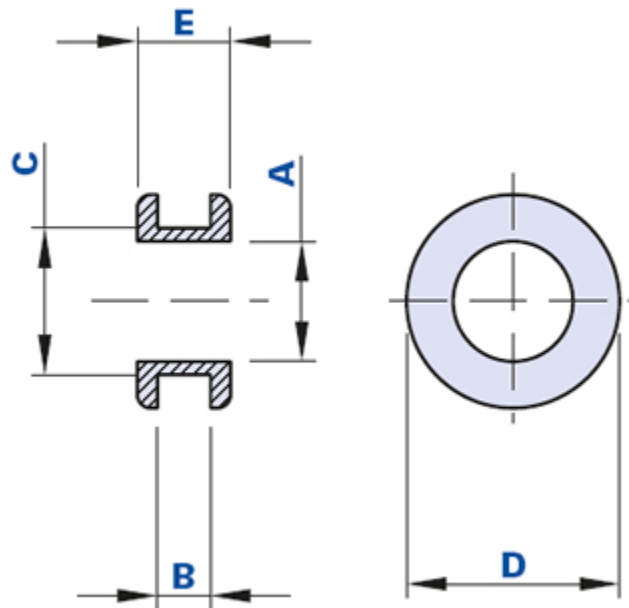


Through-hole cables holder



Code	Description	Dimensions					Weight grams	Stock
		A	B	C	D	E		
201500000500	2015 D.20 A=4,4	4,4	3	13	20	10	2	-
201600000600	2016 D.15 A=6	6	3	10,5	15	8	1	√
201800000800	2018 D.14,5 A=8	8	1,5	11	14,5	7	0,8	√
212800000000	2128 D.19 A=8	8	1,5	13,5	19	7	2	-
201700000700	2017 D.21 A=9	9	3	13	21	11	3	√
201900001000	2019 D.18 A=10	10	1,5	13	18	6,7	1,1	√
202400001700	2024 D.30 A=12	12	3,5	21,5	30	12	7	√
202000011500	2020 D.21,5 A=12,5	12,5	2	16	21,5	9	2	√
202100001300	2021 D.22 A=12,5	12,5	1,8	17	22	7	2	√
202300001600	2023 D.22/25 A=13	13,5	3,5	17	22/25	12	3	-
201000014500	2010 D.32 A=14,5	14,5	3	24	32	15	9	√
202200001500	2022 D.26 A=15	15	1,8	20	26	8,5	3,2	√
208000001500	2080 D.24 A=15	15	3,5	18	24	11	2	√
209000017500	2090 D.34 A=17,5	17,5	3,7	25	34	12	7	√
208500001900	2085 D.28 A=19	19	3,5	21	28	11	4,5	-
208600001900	2086 D.28 A=19	19	1,5	21	28	11	4	-
203000002000	2030 D.40 A=20	20	4	29	40	13,8	13	√
204000022500	2040 D.39 A=22,5	22,5	2,5	30	39	13,4	11	√
207000002500	2070 D.49/57 A=25	25	4	43	49/57	14	22	√
206000003200	2060 D.50 A=32	32	3	35	50	10	9	√
205000004300	2050 D.64 A=43	43	5	50	64	12,5	18	√

Material

Ethylene-propylene-based rubber (EPDM) resistant to atmospheric agents, ultraviolet radiations and ozone, even at high temperatures. Resistant to water and steam, alkaline salt solutions, heavy mineral bases, glycols, brake fluids, ketones and oxygenates solvents. Not resistant to oils and greases, aliphatic, aromatic and chlorinated hydrocarbons, silicic ester-based hydraulic fluids.

Colour

Black.

Package

100 - 200 - 500 pcs.