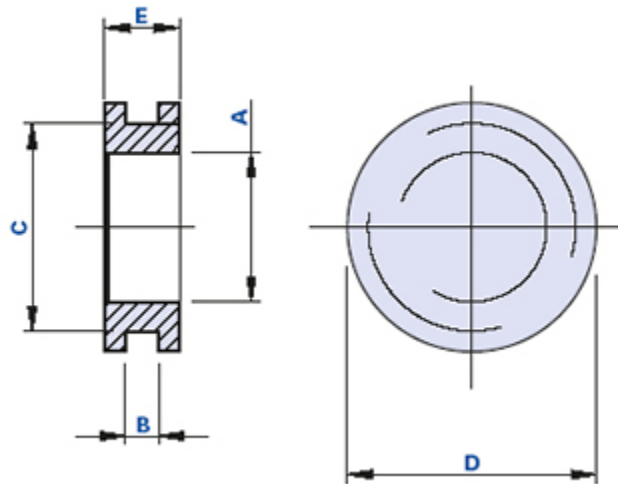


## Closed hole cables-holder with membrane



Code	Description	Dimensions					Weight grams	Stock
		A	B	C	D	E		
209500003600	2095 D.55 A=36	36	5	44,5	55	15	21	√

### Material

Ethylene-propylene-based rubber (EPDM) resistant to atmospheric agents, ultraviolet radiations and ozone, even at high temperatures. Resistant to water and steam, alkaline salt solutions, heavy mineral bases, glycols, brake fluids, ketones and oxygenates solvents. Not resistant to oils and greases, aliphatic, aromatic and chlorinated hydrocarbons, silicic ester-based hydraulic fluids.

### Colour

Black.

### Package

100 - 200 - 500 pcs.