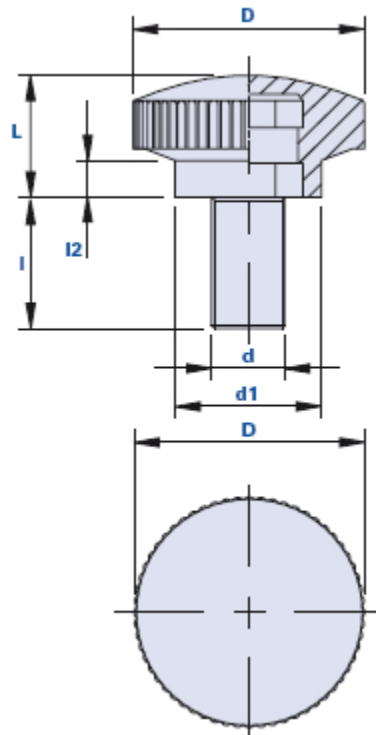


PL1



Knurled grip knob with threaded pin



Code	Description	Dimensions				Insert		Weight grams	Stock
		D	L	d1	l2	d	l		
01PL1C12	PL1/20 M6x12	19	10	12	3	M6	12	5	√
01PL1C16	PL1/20 M6x16	19	10	12	3	M6	16	5	√
01PL1C18	PL1/20 M6x18	19	10	12	3	M6	18	8	√
01PL1C22	PL1/20 M6x22	19	10	12	3	M6	22	8	√

Material

High resistance phenolyc-based (PF) duroplast.

Resistant to organic and inorganic chemical substances such as oils, greases, fuels and solvents.

Colour

Black with shiny finish.

Insert

Galvanized steel.

Package

25 - 50 - 100 pcs.