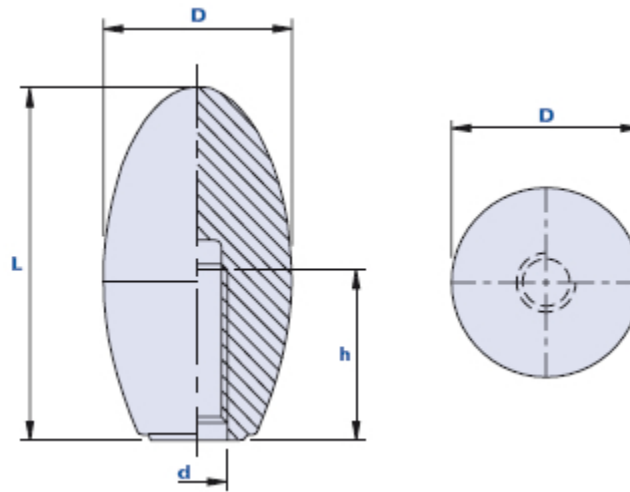


Oval knob with blind threaded hole



Code	Description	Dimensions		Hole		Weight grams	Stock
		L	D	d	h		
01PO1C	PO1/53 M6	53	28	M6	22	32	√
01PO1D	PO1/53 M8	53	28	M8	22	32	√
01PO1E	PO1/53 M10	53	28	M10	22	32	√
01PO2D	PO2/60 M8	60	32	M8	30	40	√
01PO2E	PO2/60 M10	60	32	M10	30	40	√
01PO2F	PO2/60 M12	60	32	M12	30	40	√
01PO3E	PO3/70 M10	70	36	M10	30	60	√
01PO3F	PO3/70 M12	70	36	M12	30	60	√

Material

High resistance phenolyc-based (PF) duroplast.

Resistant to organic and inorganic chemical substances such as oils, greases, fuels and solvents.

Colour

Black with shiny finish.

Threading

Directly obtained from the plastic material.

Package

25 - 50 - 100 pcs.