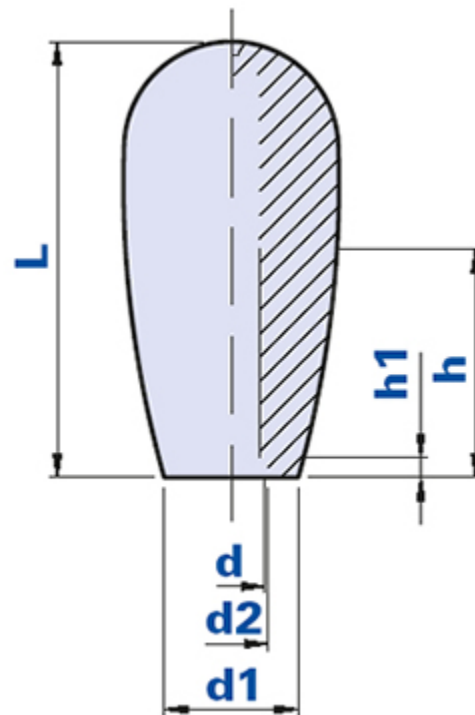


Handgrip with blind threaded hole



Code	Description	Dimensions					Hole		Weight grams	Stock
		L	D	d1	d2	h1	d	h		
01POS65D	POS 65 M8	65	32	20	10	2,5	M8	30	41	-
01POS65E	POS 65 M10	65	32	20	12	2,5	M10	30	39	√
01POS65F	POS 65 M12	65	32	20	13	2,5	M12	30	37	-

Material

Polyamide-based (PA) technopolymer. Resistant to organic and inorganic chemical substances such as oils, greases, fuels and solvents.

Colour

Black. Other colours for suitable quantities.

Threading

Directly obtained from the plastic material.

Package

100 pcs.