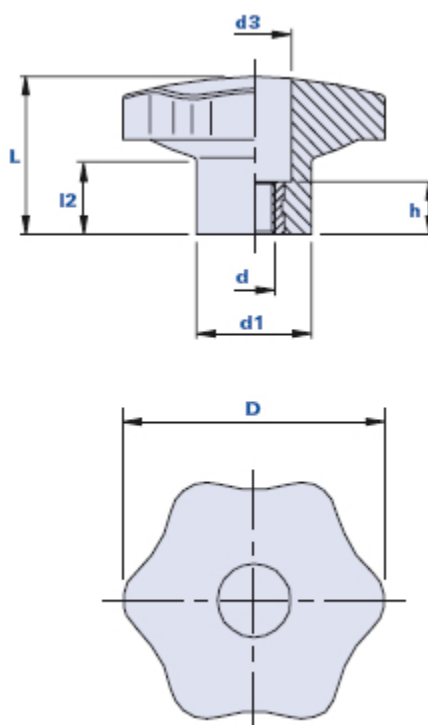
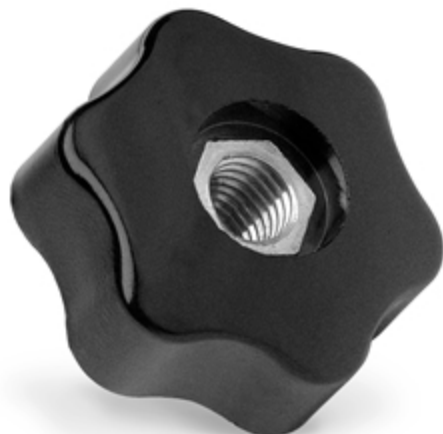


6-lobe knob with pass-through threaded bush



Code	Description	Dimensions					Insert		Weight grams	Stock
		D	L	d1	l2	d3	d	h		
01PP2A	PP2 M4	20	17	13	10	6	M4	10	6	-
01PP2B	PP2 M5	20	17	13	10	6	M5	10	6	-
01PP2C	PP2 M6	20	17	13	10	7	M6	10	6	-
01PP3B	PP3 M5	30	21	16	12	9	M5	13	10	-
01PP3C	PP3 M6	30	21	16	12	11	M6	13	10	-
01PP3D	PP3 M8	30	21	16	12	11	M8	13	10	-
01PP3BC	PP3B M6	35	24	18	13	9	M6	10	13	-
01PP3BD	PP3B M8	35	24	18	13	9	M8	10	13	-
01PP4C	PP4 M6	40	27	20	14	11	M6	18	26	-
01PP4D	PP4 M8	40	27	20	14	11	M8	18	23	-
01PP4E	PP4 M10	40	27	20	14	11	M10	18	23	-
01PP4F	PP4 M12	40	27	20	14	11	M12	18	23	-
01PP5C	PP5 M6	50	30	22	16	14	M6	20	38	-
01PP5D	PP5 M8	50	30	22	16	14	M8	20	38	-
01PP5E	PP5 M10	50	30	22	16	14	M10	20	38	-
01PP5F	PP5 M12	50	30	22	16	14	M12	20	38	-
01PP6D	PP6 M8	60	33	25	15	10	M8	20	50	-
01PP6E	PP6 M10	60	33	25	15	11	M10	20	50	-
01PP6F	PP6 M12	60	33	25	15	14	M12	20	50	-
01PP7D	PP7 M8	70	41	30	19	16	M8	20	94	-
01PP7E	PP7 M10	70	41	30	19	16	M10	20	94	-

01PP7F	PP7 M12	70	41	30	19	16	M12	20	94	-
01PP7N	PP7 M14	70	41	30	19	16	M14	20	94	-
01PP8E	PP8 M10	80	44	32	22	16	M10	23	106	-
01PP8F	PP8 M12	80	44	32	22	16	M12	23	106	-
01PP8N	PP8 M14	80	44	32	22	16	M14	23	106	-
01PP8P	PP8 M16	80	44	32	22	16	M16	23	106	-
01PP9E	PP9 M10	90	50	35	24	14	M10	25	166	-
01PP9F	PP9 M12	90	50	35	24	16	M12	25	166	-
01PP9N	PP9 M14	90	50	35	24	18	M14	25	166	-
01PP9P	PP9 M16	90	50	35	24	18	M16	25	166	-

Material

High resistance phenolyc-based (PF) duroplast. Resistant to organic and inorganic chemical substances such as oils, greases, fuels and solvents.

Colour

Black with shiny finish.

Insert

Brass. Special inserts on design, on request for suitable quantities.

Package

PP 2/3/3B/4: 25 - 100 - 200 pcs.

PP 5/6/7: 10 - 50 - 100 pcs.

PP 8/9: 1 - 10 - 50 pcs.