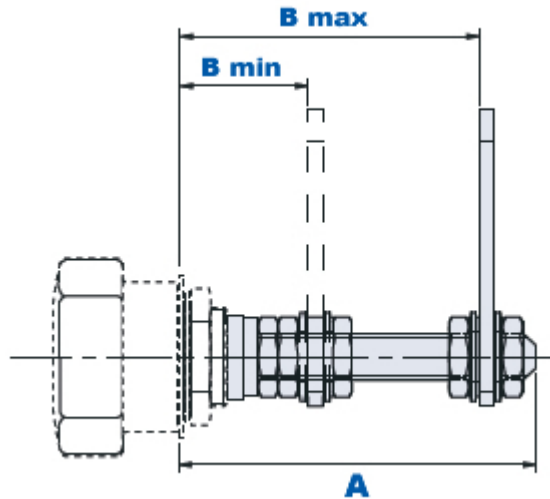


Threaded extension for V40SC and V40C



Threaded extension for V40SC / V40C

METAL



Code	Description	Dimensions			Stock
		A	B min	B max	
08669049	Extension V40SC/V40C	72	26	60,5	√

Threaded extension for the positioning of the cam from a minimum of 26 mm to a maximum of 60,5 mm.

Material of the extension and the cam

Galvanized steel and brass nuts.