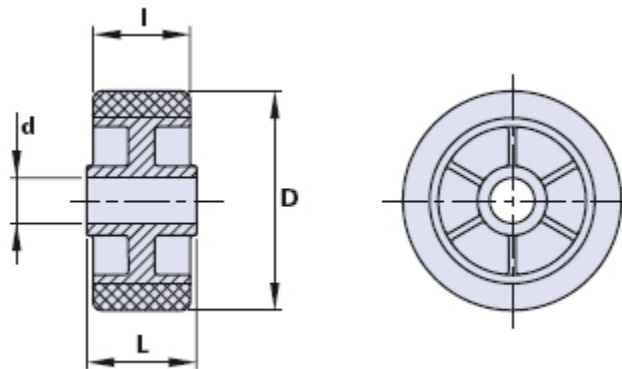


## Wheel with rubber band



Code	Description	Dimensions				Weight grams	Stock
		D	l	d	L		
01RU63.1I	RU63 D.8	63	28	8,2	31,6	68	√
01RU63.2I	RU63 D.13	63	28	13	31,6	66	-

### Material

Polyamide-based (PA) technopolymer. Resistant to organic and inorganic chemical substances such as oils, greases, fuels and solvents.

Thermoplastic rubber band.

### Colour

Black.

Other colours for suitable quantities.

### Remarks

**Article available while stocks last.**

### Package

50 - 100 - 200 pcs.