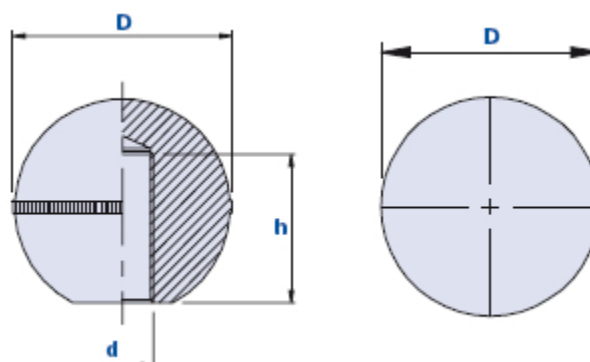


Ball knob with blind threaded hole



Code	Description	Dimensions			Weight grams	Stock
		D	d	h		
01S12A	S12 M4	12	M4	6	1	√
01S12B	S12 M5	12	M5	6	1	-
01S15B	S15 M5	15	M5	8	2	√
01S15C	S15 M6	15	M6	8	2	√
01S17B	S17 M5	17	M5	10	3	√
01S17C	S17 M6	17	M6	10	3	√
01S20B	S20 M5	20	M5	13	5	√
01S20C	S20 M6	20	M6	13	6	√
01S20D	S20 M8	20	M8	13	6	√
01S25B	S25 M5	25	M5	17	10	√
01S25C	S25 M6	25	M6	17	11	√
01S25D	S25 M8	25	M8	17	11	√
01S30C	S30 M6	30	M6	20	19	√
01S30D	S30 M8	30	M8	20	17	√
01S30E	S30 M10	30	M10	20	17	√
01S35C	S35 M6	35	M6	24	30	√
01S35D	S35 M8	35	M8	24	29	√
01S35E	S35 M10	35	M10	24	29	√
01S35F	S35 M12	35	M12	24	27	√
01S40D	S40 M8	40	M8	34	44	√
01S40E	S40 M10	40	M10	34	42	√
01S40F	S40 M12	40	M12	34	41	√
01S40N	S40 M14	40	M14	34	40	√
01S45D	S45 M8	45	M8	34	67	√
01S45E	S45 M10	45	M10	34	65	√
01S45F	S45 M12	45	M12	34	64	√

01S45N	S45 M14	45	M14	34	60	√
01S50D	S50 M8	50	M8	34	92	√
01S50E	S50 M10	50	M10	34	90	√
01S50F	S50 M12	50	M12	34	89	√
01S50N	S50 M14	50	M14	34	88	√
01S50P	S50 M16	50	M16	34	90	√
01S60E	S60 M10	60	M10	48	150	-
01S60F	S60 M12	60	M12	48	140	-

Material

High resistance phenolyc-based (PF) duroplast.

Resistant to organic and inorganic chemical substances such as oils, greases, fuels and solvents.

Colour

Black with shiny finish and equatorial knurling.

Threading

Directly obtained from the plastic material. Brass bush, on request for suitable quantities.

Package

S 12/15/17/20/25/30/35: 50 - 100 - 200 pcs.

S 40/45/50/60: 25 - 50 - 100 pcs.