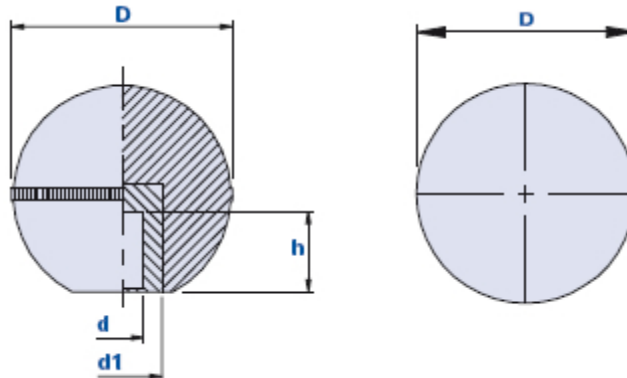


## Ball knob with smooth blind hole



| Code    | Description  | Dimensions |  | Insert |    | Weight grams | Stock |
|---------|--------------|------------|--|--------|----|--------------|-------|
|         |              | D          |  | d      | h  |              |       |
| 01SB20C | SB D.20 d.6  | 20         |  | 6      | 10 | 6            | √     |
| 01SB20D | SB D.20 d.8  | 20         |  | 8      | 10 | 4            | √     |
| 01SB25C | SB D.25 d.6  | 25         |  | 6      | 12 | 10           | √     |
| 01SB25D | SB D.25 d.8  | 25         |  | 8      | 12 | 9            | √     |
| 01SB30C | SB D.30 d.6  | 30         |  | 6      | 15 | 19           | -     |
| 01SB30D | SB D.30 d.8  | 30         |  | 8      | 15 | 19           | √     |
| 01SB30E | SB D.30 d.10 | 30         |  | 10     | 15 | 18           | √     |
| 01SB35D | SB D.35 d.8  | 35         |  | 8      | 17 | 26           | √     |
| 01SB35E | SB D.35 d.10 | 35         |  | 10     | 17 | 26           | √     |
| 01SB40D | SB D.40 d.8  | 40         |  | 8      | 20 | 34           | -     |
| 01SB40E | SB D.40 d.10 | 40         |  | 10     | 20 | 34           | √     |
| 01SB40F | SB D.40 d.12 | 40         |  | 12     | 20 | 32           | √     |
| 01SB45D | SB D.45 d.8  | 45         |  | 8      | 20 | 46           | -     |
| 01SB45E | SB D.45 d.10 | 45         |  | 10     | 20 | 46           | -     |
| 01SB45F | SB D.45 d.12 | 45         |  | 12     | 20 | 45           | √     |
| 01SB50D | SB D.50 d.8  | 50         |  | 8      | 20 | 53           | -     |
| 01SB50E | SB D.50 d.10 | 50         |  | 10     | 14 | 52           | -     |
| 01SB50F | SB D.50 d.12 | 50         |  | 12     | 14 | 51           | √     |

### Material

High resistance phenolyc-based (PF) duroplast.

Resistant to organic and inorganic chemical substances such as oils, greases, fuels and solvents.

### Colour

Black with shiny finish with equatorial knurling.

### Assembly

Press-fit.

**Insert**

Polyamide-based technopolymer (PA) bush.

**Package**

SB 20/25/30/35: 50 - 100 - 200 pcs.

SB 40/45/50: 25 - 50 - 100 pcs.