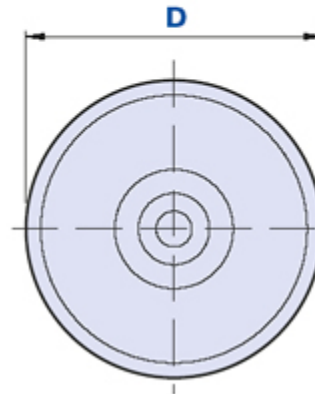
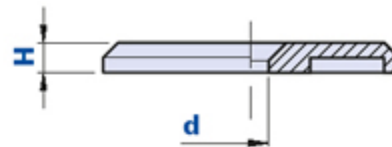


SGA18



Dust-guard washer



Code	Description	Dimensions			Weight grams	Stock
		D	H	d1		
01-SGA18.026	SGA18 D.50	50	5	6	8,1	√

Material

High resistance phenolic-based (PF) duroplast. Resistant to organic and inorganic chemical substances such as oils, greases, fuels and solvents.

Colour

Black with shiny finish.

Package

100 pcs.