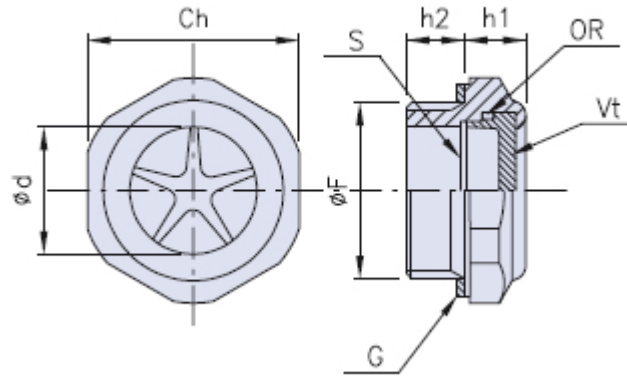


## Aluminium oil level sight

METAL



S=Contrast screen  
Vt=Transparent disc  
G=Fiber gasket

Code	Dimensions					Stock
	F	Ch	d	h1	h2	
01SM-14	G 1/4"	18	11	10	7	-
01SM-38	G 3/8"	22	12	8	9	-
01SM-12	G 1/2"	27	15	8	9	-
01SM-12/HP	G 1/2"	27	12	11	9	-
01SM-34	G 3/4"	34	19	9	11	-
01SM-34/HP	G 3/4"	34	16	10	11	-
01SM-1	G 1"	40	27	10,5	11	-
01SM-1/HP	G 1"	40	24	11	11	-
01SM-114	G 1 1/4"	50	35	12	12	-
01SM-22.15	M 22x1.5	27	15	8	9	-

### Material

Level indicator made from aluminium.

Sight glass made from transparent polyamide resin resistant to shocks, chemical agents, oils, gasoline and solvents in general.

Contrast screen made from white plastic (for 1/4"-3/8") or laquered aluminium (for 1/2"-3/4"-1"-M33-M22).

Asbestos-free fiber flat seal or upon request, aluminium.

### Description

Threaded hex-head level indicator.

### Notes

Version SM-HP (high temperature) with sight glass made in natural glass and VITON internal seal suitable for applications up to 150°.

Maximum suggested working pressure 10 bar.

Avoid contact with alcohol-based solutions, detergents containing alcohol in general, anti-freeze liquids at high temperatures and hot water over 80°C.

### Package

SM-114: 5 pcs.

SM-34/1: 50 pcs.

SM-14/38/12/22.15: 100 pcs.