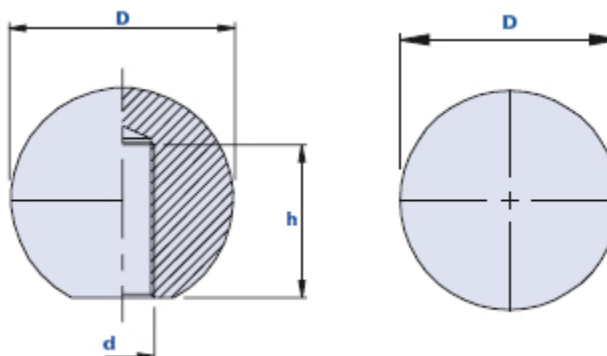


## Ball knob with blind threaded hole



Code	Description	Dimensions		Hole		Weight grams	Stock
		D		d	h		
01SSF20A	SSF D.20 M4	20		M4	14	5	-
01SSF20B	SSF D.20 M5	20		M5	14	5	-
01SSF20C	SSF D.20 M6	20		M6	14	6	-
01SSF25B	SSF D.25 M5	25		M5	19	10	-
01SSF25C	SSF D.25 M6	25		M6	19	11	-
01SSF25D	SSF D.25 M8	25		M8	19	11	-
01SSF30C	SSF D.30 M6	30		M6	12	18	-
01SSF30D	SSF D.30 M8	30		M8	16	17	-
01SSF30E	SSF D.30 M10	30		M10	20	16	-
01SSF35D	SSF D.35 M8	35		M8	16	29	-
01SSF35E	SSF D.35 M10	35		M10	20	28	-
01SSF35F	SSF D.35 M12	35		M12	24	27	-
01SSF40D	SSF D.40 M8	40		M8	16	44	-
01SSF40E	SSF D.40 M10	40		M10	20	42	-
01SSF40F	SSF D.40 M12	40		M12	24	41	-
01SSF45D	SSF D.45 M8	45		M8	16	67	-
01SSF45E	SSF D.45 M10	45		M10	20	65	-
01SSF45F	SSF D.45 M12	45		M12	24	64	-
01SSF45N	SSF D.45 M14	45		M14	28	60	-

### Material

Polyamide-based (PA) technopolymer.

Resistant to organic and inorganic chemical substances such as oils, greases, fuels and solvents.

### Colour

Black with shiny finish. Other colours for suitable quantities.

### Threading

Directly obtained from the plastic material.

**Package**

SSF 20/25/30/35: 50 - 100 - 200 pcs.

SSF 40/45: 25 - 50 - 100 pcs.