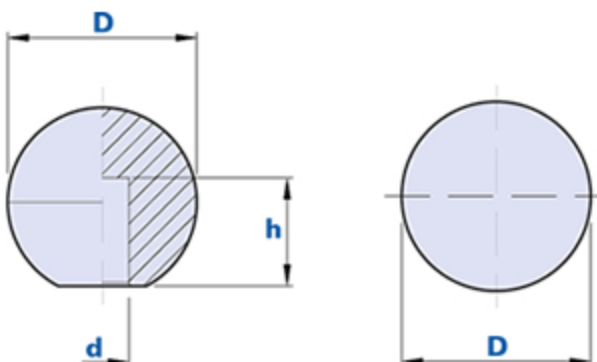


## Ball knob with blind smooth hole



Code	Description	Dimensions		Hole		Weight grams	Stock
		D	d	d	h		
01SSL30D	SSL D.30 d.8	30	8	15	17	-	
01SSL35E	SSL D.35 d.10	35	10	20	28	-	
01SSL40E	SSL D.40 d.10	40	10	20	43	-	
01SSL40F	SSL D.40 d.12	40	12	22	41	-	
01SSL40N	SSL D.40 d.14	40	14	24	38	-	
01SSL45F	SSL D.45 d.12	45	12	22	64	-	
01SSL45N	SSL D.45 d.14	45	14	24	60	-	
01SSL45P	SSL D.45 d.16	45	16	27	58	-	

### Material

Polyamide-based (PA) technopolymer.

Resistant to organic and inorganic chemical substances such as oils, greases, fuels and solvents.

### Colour

Black with shiny finish.

Other colours for suitable quantities.

### Assembly

Press-fit. Hole directly obtained from the plastic material.

### Package

SSL 30/35: 50 - 100 - 200 pcs.

SSL 40/45: 25 - 50 - 100 pcs.