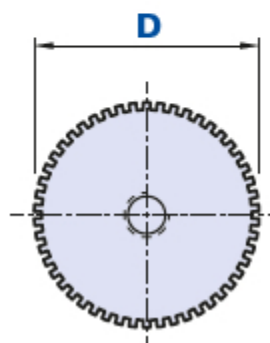
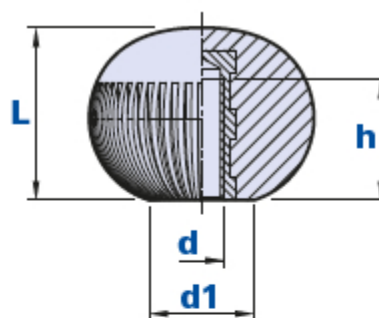


## Ball knob with blind threaded bush



Code	Description	Dimensions			Insert		Weight grams	Stock
		D	L	d1	d	h		
01SWB20A	SWB D.20 M4	20	15	9	M4	9	5,8	-
01SWB20B	SWB D.20 M5	20	15	9	M5	9	6	-
01SWB20C	SWB D.20 M6	20	15	9	M6	9	6	√
01SWB30C	SWB D.30 M6	30	23	14	M6	16	18	√
01SWB30D	SWB D.30 M8	30	23	14	M8	16	19,4	-
01SWB30E	SWB D.30 M10	30	23	14	M10	16	22,8	-
01SWB40D	SWB D.40 M8	40	31	16,5	M8	16	40	√
01SWB40E	SWB D.40 M10	40	31	16,5	M10	16	43	-
01SWB40F	SWB D.40 M12	40	31	16,5	M12	16	46,5	-

### Material

Polyamide-based (PA) technopolymer. Resistant to organic and inorganic chemical substances such as oils, greases, fuels and solvents.

### Colour

Black with satin finish. Other colours for suitable quantities.

### Insert

Brass. Special inserts on design on request, for suitable quantities.

### Package

SWB 20/30: 50 - 100 - 200 pcs.

