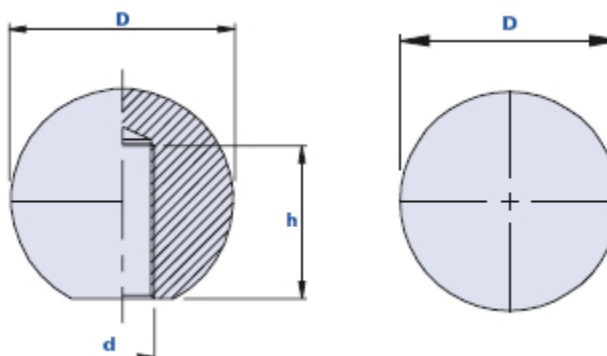


Smooth ball knob with blind threaded hole



Code	Description	Dimensions		Hole		Weight grams	Stock
		D		d	h		
01SZ12A	SZ12 M4	12		M4	6	1	-
01SZ12B	SZ12 M5	12		M5	6	1	-
01SZ15B	SZ15 M5	15		M5	8	2	-
01SZ15C	SZ15 M6	15		M6	8	2	-
01SZ17B	SZ17 M5	17		M5	10	3	-
01SZ17C	SZ17 M6	17		M6	10	3	-
01SZ20B	SZ20 M5	20		M5	13	5	√
01SZ20C	SZ20 M6	20		M6	13	6	√
01SZ20D	SZ20 M8	20		M8	13	6	√
01SZ25B	SZ25 M5	25		M5	17	10	√
01SZ25C	SZ25 M6	25		M6	17	11	√
01SZ25D	SZ25 M8	25		M8	17	11	√
01SZ40D	SZ40 M8	40		M8	34	44	√
01SZ40E	SZ40 M10	40		M10	34	42	√
01SZ40F	SZ40 M12	40		M12	34	41	√
01SZ45D	SZ45 M8	45		M8	34	67	√
01SZ45E	SZ45 M10	45		M10	34	65	√
01SZ45F	SZ45 M12	45		M12	34	64	√
01SZ45N	SZ45 M14	45		M14	34	60	-
01SZ50D	SZ50 M8	50		M8	34	92	√
01SZ50E	SZ50 M10	50		M10	34	90	√
01SZ50F	SZ50 M12	50		M12	34	89	√
01SZ50N	SZ50 M14	50		M14	34	88	-
01SZ60E	SZ60 M10	60		M10	48	150	√
01SZ60F	SZ60 M12	60		M12	48	140	-

Material

High resistance phenolyc-based (PF) duroplast.

Resistant to organic and inorganic chemical substances such as oils, greases, fuels and solvents.

Colour

Black with shiny finish.

Threading

Directly obtained from the plastic material. Brass bush, on request for suitable quantities.

Package

SZ 12/15/17/20/25: 50 - 100 - 200 pcs.

SZ 40/45/50/60: 25 - 50 - 100 pcs.