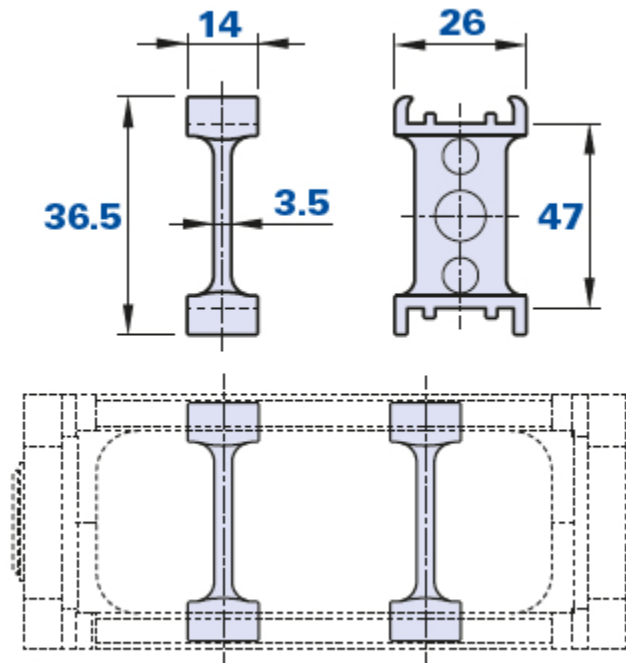


Separator for 572



Separator for cable-carrying chain model 572



Code	Description	Weight grams	Stock
01572T	Separator 572	5	√

Material

Polyamide-based (PA) technopolymer. Resistant to organic and inorganic chemical substances such as oils, greases, fuels and solvents.

Colour

Black with satin finish.

Package

1 pcs.