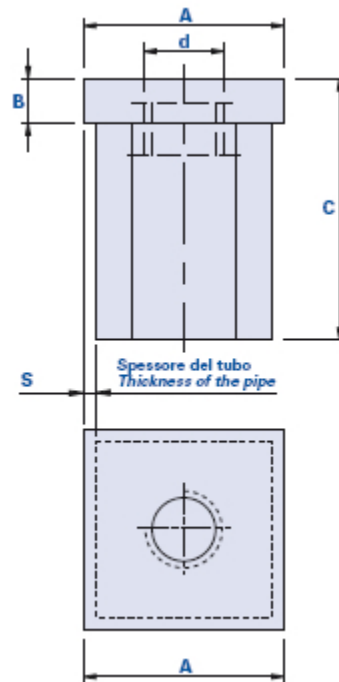


T-40Q



Threaded cap with insert for square-section pipes



Code	Description	Dimensions					Weight grams x1000 pcs.	Stock
		A	S	B	C	d		
01402525A	T-40Q 25-25 M10	25x25	1.5	6	19	M10	16.8	√
01402525B	T-40Q 25-25 M10	25x25	1.5	6	36	M10	22.6	√
01402525C	T-40Q 25-25 M10	25x25	2	6	19	M10	16.15	√
01402525D	T-40Q 25-25 M10	25x25	2	6	34	M10	19.65	-
01403030A	T-40Q 30-30 M10	30x30	1.5	7	19	M10	21.2	-
01403030B	T-40Q 30-30 M10	30x30	1.5	7	37	M10	30.85	-
01403030C	T-40Q 30-30 M10	30x30	2	7	19	M10	21.2	-
01403030D	T-40Q 30-30 M10	30x30	2	7	37	M10	28.45	-

Material

Polyamide-based (PA) technopolymer. Resistant to organic and inorganic chemical substances such as oils, greases, fuels and solvents.

Colour

Black with satin finish.

Insert

Galvanized steel.

Package

200 - 500 - 1000 pcs.



Thenar Srl - Via della Costituzione, 66 - 42015 Correggio (RE) Italy

Tel. +39 0522 740511 - Fax +39 0522 740555 - info@thenar.it - www.thenar.it

THENAR models are reserved property under the law - Non-reproducible drawings unless the source is cited.