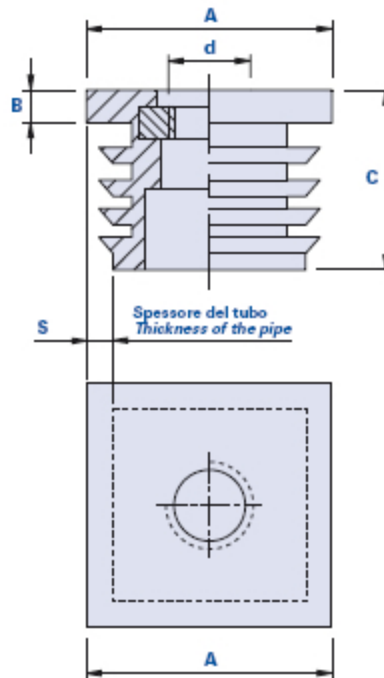


## Threaded cap with insert for square-section pipes



Code	Description	Dimensions					Weight grams x1000 pcs.	Stock
		A	S	B	C	d		
01J2020D	T-JQ 20-20 M8	20x20	1.5	6	20	M8	7.2	-
01J2525D	T-JQ 25-25 M8	25x25	1.5	7	20	M8	10.4	√
01J2525E	T-JQ 25-25 M10	25x25	1.5	7	20	M10	14	√
01J3030E	T-JQ 30-30 M10	30x30	1.5	8	22	M10	17.2	√
01J3030E1	T-JQ 30-30 M10	30x30	2.5	8	22	M10	16.5	-
01J3535E	T-JQ 35-35 M10	35x35	1.5	8	22	M10	18.1	-
01J4040E	T-JQ 40-40 M10	40x40	1.5	8	22	M10	20	√

### Material

Polyethylene-based (PE) technopolymer. Resistant to organic and inorganic chemical substances such as oils, greases, fuels and solvents.

### Colour

Black with satin finish.

### Insert

Galvanized steel.

### Package

200 - 500 - 1000 pcs.