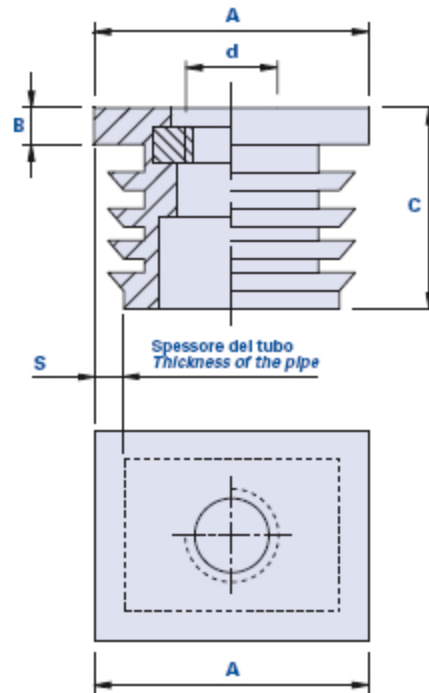


T-JRE



Threaded cap with insert for rectangular-section pipes



Code	Description	Dimensions					Weight grams x1000 pcs.	Stock
		A	S	B	C	d		
01J3015D	T-JRE 30-15 M8	30x15	1.5	10	22	M8	8.9	-
01J3020E	T-JRE 30-20 M10	30x20	1.5	7	21	M10	12.4	-
01J3520E	T-JRE 35-20 M10	35x20	1.5	8	24	M10	13.5	-
01J4020E	T-JRE 40-20 M10	40x20	1.5	8	24	M10	13.8	-
01J4030E	T-JRE 40-30 M10	40x30	1.5	8	24	M10	20.8	-
01J5025E	T-JRE 50-25 M10	50x25	1.5	8	21	M10	18.8	-

Material

Polyethylene-based (PE) technopolymer. Resistant to organic and inorganic chemical substances such as oils, greases, fuels and solvents.

Colour

Black with satin finish.

Insert

Galvanized steel.

Package

200 - 500 - 1000 pcs.



Thenar Srl - Via della Costituzione, 66 - 42015 Correggio (RE) Italy

Tel. +39 0522 740511 - Fax +39 0522 740555 - info@thenar.it - www.thenar.it

THENAR models are reserved property under the law - Non-reproducible drawings unless the source is cited.