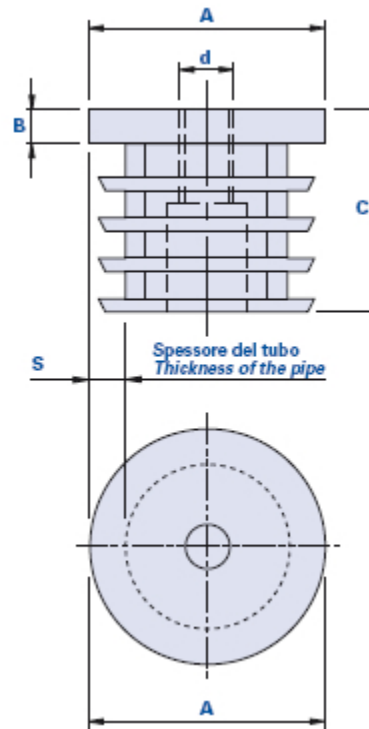


Threaded cap without insert for round-section pipes



Dimensions

Code	Description	Dimensions					Weight grams x1000 pcs.	Stock
		A	S	B	C	d		
01RG22D	T-RG 22 M8	22	1,5-2	5	21.5	M8	4	√
01RG22E	T-RG 22 M10	22	1,5-2	5	21.5	M10	4	-
01RG25D	T-RG 25 M8	25	1,5-2	5	21.5	M8	4	√
01RG25E	T-RG 25 M10	25	1,5-2	5	21.5	M10	4	√
01RG25F	T-RG 25 M12	25	1,5-2	5	21.5	M12	4	-
01RG28D	T-RG 28 M8	28	1,5-2	5	21.5	M8	6	√
01RG28E	T-RG 28 M10	28	1,5-2	5	21.5	M10	6	-
01RG28F	T-RG 28 M12	28	1,5-2	5	21.5	M12	6	-
01RG30D	T-RG 30 M8	30	1,5-2	5	21.5	M8	8	√
01RG30E	T-RG 30 M10	30	1,5-2	5	21.5	M10	8	√
01RG30F	T-RG 30 M12	30	1,5-2	5	21.5	M12	8	√
01RG32D	T-RG 32 M8	32	1,5-2	5	29	M8	10	-
01RG32E	T-RG 32 M10	32	1,5-2	5	29	M10	10	-
01RG32F	T-RG 32 M12	32	1,5-2	5	29	M12	10	-
01RG35D	T-RG 35 M8	35	1,5-2	5	29	M8	14	√
01RG35E	T-RG 35 M10	35	1,5-2	5	29	M10	14	-
01RG35F	T-RG 35 M12	35	1,5-2	5	29	M12	14	-
01RG38D	T-RG 38 M8	38	1,5-2	5	29	M8	16	√
01RG38E	T-RG 38 M10	38	1,5-2	5	29	M10	16	-
01RG38F	T-RG 38 M12	38	1,5-2	5	29	M12	16	-
01RG40D	T-RG 40 M8	40	1,5-2	5	29	M8	17	√

01RG40E	T-RG 40 M10	40	1,5-2	5	29	M10	17	-
01RG42E	T-RG 42 M10	42	1,5-2	5	29	M10	18	-
01RG60E	T-RG 60 M10	60	0,8-1,2	5	37	M10	34	-

Material

Polyamide-based (PA) technopolymer. Resistant to organic and inorganic chemical substances such as oils, greases, fuels and solvents.

Colour

Black with satin finish.

Threading

Directly obtained from the plastic material.

Package

200 - 500 - 1000 pcs.