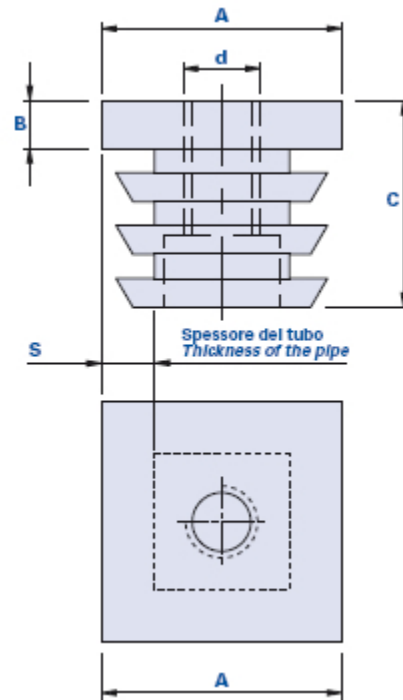


Threaded cap without insert for square-section pipes



Code	Description	Dimensions					Weight grams x1000 pcs.	Stock
		A	S	B	C	d		
01VG2020D	T-VG 20-20 M8	20x20	1,5-2	5	21,5	M8	4.55	-
01VG2020E	T-VG 20-20 M10	20x20	1,5-2	5	21,5	M10	4	-
01VG2222D	T-VG 22-22 M8	22x22	1,5-2	5	21,5	M8	5.6	-
01VG2222E	T-VG 22-22 M10	22x22	1,5-2	5	21,5	M10	6	-
01VG2525D	T-VG 25-25 M8	25x25	1,5-2	5	21,5	M8	7.56	-
01VG2525E	T-VG 25-25 M10	25x25	1,5-2	5	21,5	M10	8	-
01VG3030D	T-VG 30-30 M8	30x30	1,5-2	5	21,5	M8	11.6	-
01VG3030E	T-VG 30-30 M10	30x30	1,5-2	5	21,5	M10	11	-
01VG3535D	T-VG 35-35 M8	35x35	1,5-2	5	21,5	M8	16	-
01VG3535E	T-VG 35-35 M10	35x35	1,5-2	5	21,5	M10	15.3	-
01VG3535F	T-VG 35-35 M12	35x35	1,5-2	5	21,5	M12	14.09	-

Material

Polyamide-based (PA) technopolymer. Resistant to organic and inorganic chemical substances such as oils, greases, fuels and solvents.

Colour

Black with satin finish.

Threading

Directly obtained from the plastic material.

Package

200 - 500 - 1000 pcs.

