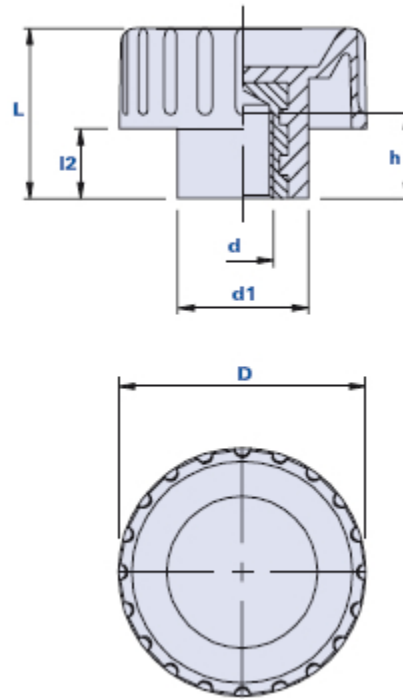


Fluted grip knob with blind threaded bush



Code	Description	Dimensions				Insert		Weight grams	Stock
		D	L	d1	l2	d	h		
01TBB15Z	TBB 15 M3	15	13,5	11,5	5	M3	8	4	√
01TBB15A	TBB 15 M4	15	13,5	11,5	5	M4	8	4	√
01TBB15B	TBB 15 M5	15	13,5	11,5	5	M5	8	4	√
01TBB15C	TBB 15 M6	15	13,5	11,5	5	M6	8	4	√
01TBB20A	TBB 20 M4	20	16	13	6	M4	8	6	-
01TBB20B	TBB 20 M5	20	16	13	6	M5	8	6	√
01TBB20C	TBB 20 M6	20	16	13	6	M6	8	6	√
01TBB25B	TBB 25 M5	25	19	16	8	M5	9	8	√
01TBB25C	TBB 25 M6	25	19	16	8	M6	9	7	√
01TBB25D	TBB 25 M8	25	19	16	8	M8	9	9	√
01TBB32C	TBB 32 M6	32	22	17	9	M6	11	11	√
01TBB32D	TBB 32 M8	32	22	17	9	M8	11	12	√
01TBB32E	TBB 32 M10	32	22	17	9	M10	11	12	√

Material

Polyamide-based (PA) technopolymer. Resistant to organic and inorganic chemical substances such as oils, greases, fuels and solvents.

Colour

Black with satin finish.

Other colours for suitable quantities.

Insert

Brass.

Special inserts on design and/or in stainless steel on request, for suitable quantities.

Package

25 - 100 - 200 pcs.