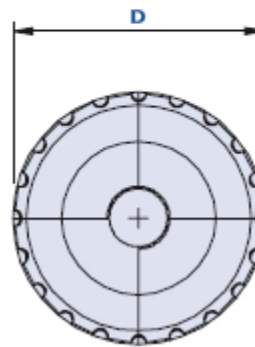
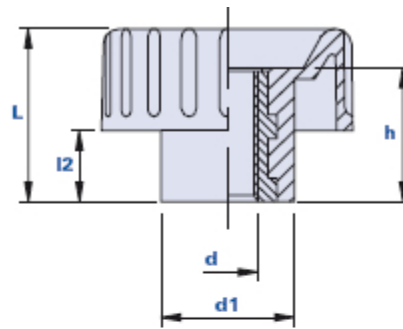


Fluted grip knob with pass-through threaded bush



Code	Description	Dimensions				Insert		Weight grams	Stock
		D	L	d1	l2	d	h		
01TBF15Z	TBF15 M3	15	13,5	11,5	5	M3	11,5	3	-
01TBF15A	TBF15 M4	15	13,5	11,5	5	M4	11,5	3	√
01TBF15B	TBF15 M5	15	13,5	11,5	5	M5	11,5	3	√
01TBF15C	TBF15 M6	15	13,5	11,5	5	M6	11,5	3	√
01TBF20A	TBF20 M4	20	16	13	6	M4	11,5	5	√
01TBF20B	TBF20 M5	20	16	13	6	M5	11,5	6	√
01TBF20C	TBF20 M6	20	16	13	6	M6	11,5	6	√
01TBF25B	TBF25 M5	25	19	16	8	M5	14,5	9	√
01TBF25C	TBF25 M6	25	19	16	8	M6	14,5	8	√
01TBF25D	TBF25 M8	25	19	16	8	M8	14,5	10	√
01TBF32C	TBF32 M6	32	22	17	9	M6	16,5	12	√
01TBF32D	TBF32 M8	32	22	17	9	M8	16,5	12	√
01TBF32E	TBF32 M10	32	22	17	9	M10	16,5	12	√

Material

Polyamide-based (PA) technopolymer. Resistant to organic and inorganic chemical substances such as oils, greases, fuels and solvents.

Colour

Black with satin finish.

Other colours for suitable quantities.

Insert

Brass. Special inserts on design and/or in stainless steel on request, for suitable quantities.

Package

25 - 100 - 200 pcs.