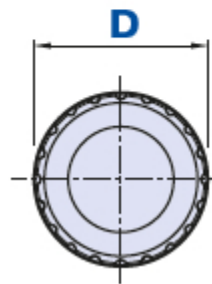
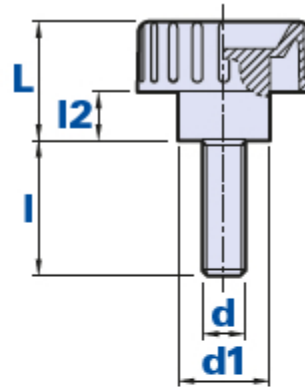


Fluted grip knob with stainless steel threaded pin



inox

PA

-100
-30

RoHS

Code	Description	Dimensions				Insert		Weight grams	Stock
		D	L	d1	l2	d	l		
01TBP15A10X	TBPX 15 M4x10	15	13,5	11,5	5	M4	10	4	√
01TBP15A15X	TBPX 15 M4x15	15	13,5	11,5	5	M4	15	5	√
01TBP15A20X	TBPX 15 M4x20	15	13,5	11,5	5	M4	20	5	√
01TBP15A25X	TBPX 15 M4x25	15	13,5	11,5	5	M4	25	9	√
01TBP15A30X	TBPX 15 M4x30	15	13,5	11,5	5	M4	30	9	√
01TBP20B10X	TBPX 20 M5x10	20	16	13	6	M5	10	5	-
01TBP20B15X	TBPX 20 M5x15	20	16	13	6	M5	15	8	-
01TBP20C15X	TBPX 20 M6x15	20	16	13	6	M6	15	9	√
01TBP20C20X	TBPX 20 M6x20	20	16	13	6	M6	20	10	√
01TBP20C30X	TBPX 20 M6x30	20	16	13	6	M6	30	12	-
01TBP25C15X	TBPX 25 M6x15	25	19	16	8	M6	15	10	√
01TBP32D15X	TBPX 32 M8x15	32	22	17	9	M8	15	18	-
01TBP32D20X	TBPX 32 M8x20	32	22	17	9	M8	20	20	-
01TBP32D30X	TBPX 32 M8x30	32	22	17	9	M8	30	31	-

Material

Polyamide-based (PA) technopolymer. Resistant to organic and inorganic chemical substances such as oils, greases, fuels and solvents.

Colour

Black with satin finish.

Other colours for suitable quantities.

Insert

Stainless steel AISI 304.

Package

100 - 200 - 500 pcs.