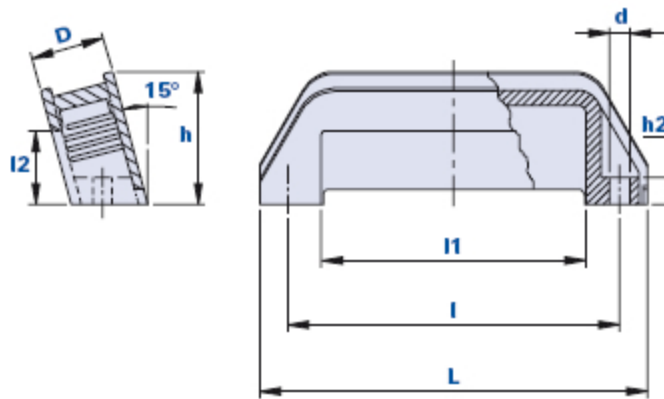


Safety handle with inclined base



Code	Description	Dimensions							Hole	Weight grams	Stock
		L	D	h	l1	l2	l	h2	d		
01TC1	Handle without band	126	24	43	86	24	108	9	6,5	45	√
01TCF1	Handle with RAL 2004 band	126	24	43	86	24	108	9	6,5	45	√
01TCF1G	Handle with RAL 7015 band	126	24	43	86	24	108	9	6,5	45	√

Material

Polyamide-based (PA) technopolymer. Resistant to organic and inorganic chemical substances such as oils, greases, fuels and solvents.

Colour

Black with satin finish.
Other colours for suitable quantities.

Band

Orange colour RAL 2004 with satin finish; grey colour RAL 7015 with satin finish.

Assembly

With cylindrical head screws with built-in hexagon.

Package

10 - 50 - 100 pcs.