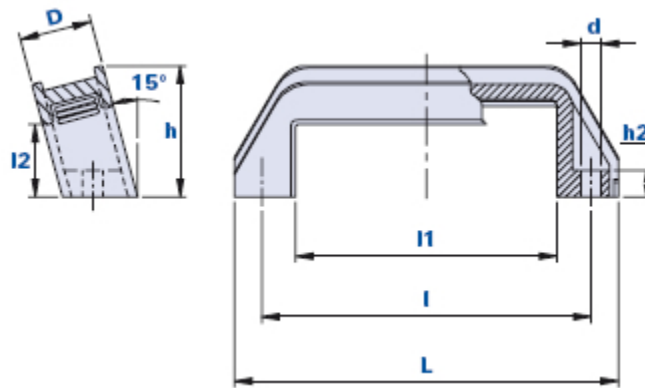


## Bridge handle with inclined based



| Code    | Description               | Dimensions |    |    |    |    |     |    | Hole | Weight grams | Stock |
|---------|---------------------------|------------|----|----|----|----|-----|----|------|--------------|-------|
|         |                           | L          | D  | h  | I1 | I2 | I   | h2 | d    |              |       |
| 01TCA   | Handle without band       | 126        | 24 | 43 | 86 | 24 | 108 | 9  | 6,5  | 44           | √     |
| 01TCAF  | Handle with RAL 2004 band | 126        | 24 | 43 | 86 | 24 | 108 | 9  | 6,5  | 44           | √     |
| 01TCAFG | Handle with RAL 7015 band | 126        | 24 | 43 | 86 | 24 | 108 | 9  | 6,5  | 44           | √     |

### Materials

Polyamide-based (PA) technopolymer. Resistant to organic and inorganic chemical substances such as oils, greases, fuels and solvents.

### Colour

Black with satin finish.  
Other colours for suitable quantities.

### Band

Orange colour RAL 2004 with satin finish; grey colour RAL 7015 with satin finish.

### Assembly

With cylindrical head screws with built-in hexagon.

### Package

10 - 50 - 100 pcs.