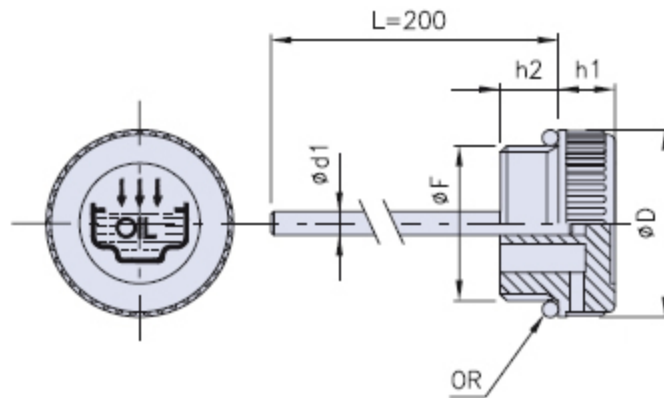


Knurled oil fill plug with dipstick



Code	Dimensions					Stock
	F	D	h1	h2	d1	
01TCAZ-14	G 1/4"	20	9	9	4	-
01TCAZ-38	G 3/8"	20,5	9	10	4	-
01TCAZ-12	G 1/2"	28	10,5	10,5	4	-
01TCAZ-34	G 3/4"	31	12	11	5	-
01TCAZ-1	G 1"	39	12	12	5	-
01TCAZ-114	G 1 1/4"	49	13	13,5	5	-
01TCAZ-14.15	M 14x1.5	20	9	9	4	-
01TCAZ-16.15	M 16x1.5	20	9	10	4	-
01TCAZ-18.15	M 18x1.5	28	10,5	10	4	-
01TCAZ-20.15	M 20x1.5	28	10,5	10	4	-
01TCAZ-22.15	M 22x1.5	28	10,5	11	4	-

Material

Plug made from thermoplastic material (Polyamide 66).

Dipstick made from phosphated steel, round section. Seal with 70 Shore synthetic rubber O-Ring.

Description

Knurled threaded plug with dipstick, 200 mm standard length.

Colour

Black.

Notes

The plugs are supplied, as standard equipment, with UNI oil fill graphic symbol and OIL text.

Upon request and for a quantity of least 250 pcs. the dipsticks can be supplied in different lengths and with min-max notches.

Package

1 - 50 - 100 pcs.