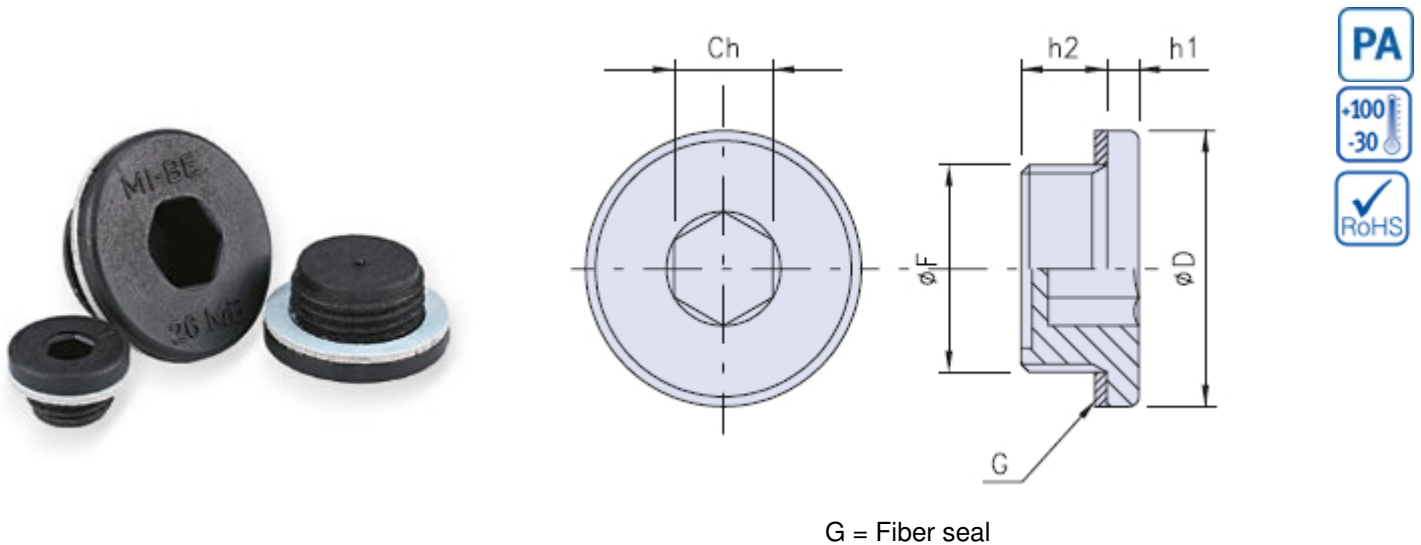


## Closure cap with internal hex head



G = Fiber seal

Code	Dimensions							Stock
	F	Ch	D	h1	h2	Nm	Nm(PPA)	
01TCNB-14	G 1/4"	6	18	2,5	8	3	5	-
01TCNB-38	G 3/8"	8	22,5	3,5	10,5	6	8	-
01TCNB-12	G 1/2"	10	28,5	3,5	10,5	8	10	-
01TCNB-34	G 3/4"	12	35	4	10,5	10	18	-
01TCNB-14.15	M 14x1.5	6	20	2,5	8	3	5	-
01TCNB-16.15	M 16x1.5	8	22,5	3,5	11	6	8	-
01TCNB-18.15	M 18x1.5	10	26	3	10	7	10	-
01TCNB-20.15	M 20x1.5	10	28,5	3	11	7	10	-
01TCNB-22.15	M 22x1.5	10	28,5	3,5	10,5	7	10	-
01TCNB-26.15	M 26x1.5	12	35	3	11	10	18	-

### Material

Plug made from reinforced thermoplastic material (Polyamide 66) with 30% fiber-glass providing an excellent mechanical resistance at both low and high temperatures.

Flat washer asbestos-free seal FASIT 202. A rubber or O-Ring seal can be mounted upon request.

### Description

Hexagon socket-head threaded plug to reduce the outer space to a minimum.

### Colour

Black.

### Assembly

Use normal hexagon wrench by respecting the tightening values (Nm) indicated in the table.

### Notes

Special execution in PA6 with 50% fiber glass for increased mechanical torque (see data in the table) and for the use with continuous operating temperatures up to 120°C, for peaks of 150°C.

**Package**

1 - 50 - 100 pcs.