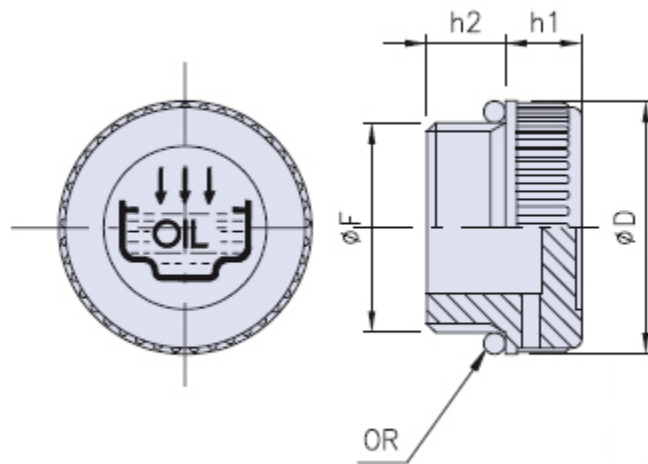


Knurled oil fill plug



Code	Dimensions				Stock
	F	D	h1	h2	
01TCZ-14	G 1/4"	20	9	9	-
01TCZ-38	G 3/8"	20,5	9	10	-
01TCZ-12	G 1/2"	28	10,5	10,5	-
01TCZ-34	G 3/4"	31	12	11	-
01TCZ-1	G 1"	39	12	12	-
01TCZ-114	G 1 1/4"	49	13	13,5	-
01TCZ-112	G 1 1/2"	55	14,5	14,5	-
01TCZ-2	G 2"	68,5	15	16	-
01TCZ-14.15	M 14x1.5	20	9	9	-
01TCZ-16.15	M 16x1.5	20	9	10	-
01TCZ-18.15	M 18x1.5	28	10,5	10	-
01TCZ-20.15	M 20x1.5	28	10,5	10	-
01TCZ-22.15	M 22x1.5	28	10,5	10	-

Material

Plug made from thermoplastic material (Polyamide 66) ensuring a high mechanical resistance at both low and high temperatures, dimensional stability and shock resistance.

Seal with 70 Shore synthetic rubber O-Ring.

Description

Threaded plug with knurled head.

Colour

Black.

Notes

The plugs are supplied with UNI oil fill graphic symbol and OIL text.

Codes TCZ 114-112-2 are available with GASOIL or DIESEL text and, upon request, in red colour.

Package

1 - 50 - 100 pcs.