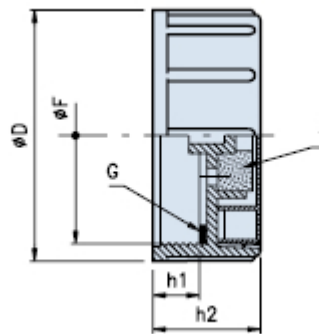


## Filler breather plug with internal thread



f = Air filter  
G = Rubber internal seals



Code	Dimensions				Stock
	F	D	h1	h2	
01TF-2	G 2"	67,5	15	30	-
01TF-60.2	M60x2	67,5	15	30	-

### Material

Plug made from thermoplastic material (Polyamide 66) ensuring a high mechanical resistance at both low and high temperatures, dimensional stability and shock resistance.

Polyurethane foam air filter (filtration degree 40 microns).

NBR 70 Shore synthetic rubber flat internal seal.

### Description

Filler breather plug with internal thread, for screwed assembly on threaded pipe unions having the same diameter.

### Colour

Black with red lid.

### Notes

The plugs are supplied, as standard equipment, with OIL text. On request available also in yellow colour with GASOIL or DIESEL text.

For suitable quantities the plug can be customized.

### Package

1 - 50 - 100 pcs.