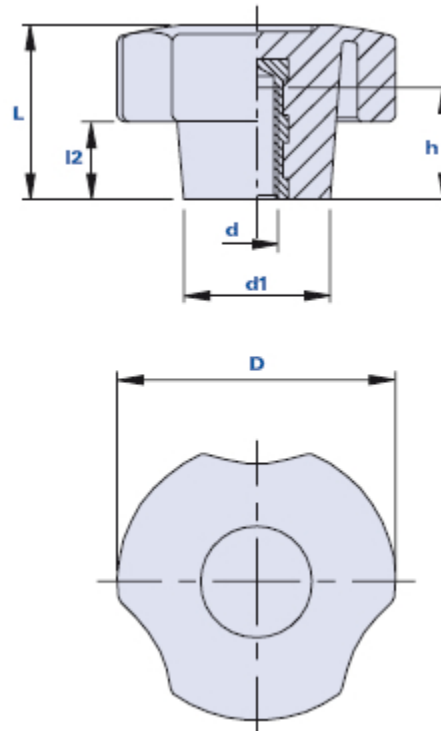


## 3-lobe knob with blind threaded bush



Code	Description	Dimensions				Insert		Weight grams	Stock
		D	L	d1	L2	d	h		
01THB20A	THB 20 M4	20	13	13	5	M4	8	5	√
01THB20B	THB 20 M5	20	13	13	5	M5	8	6	√
01THB20C	THB 20 M6	20	13	13	5	M6	8	5	√
01THB25A	THB 25 M4	25	16	14	6	M4	8	8	√
01THB25B	THB 25 M5	25	16	14	6	M5	8	8	√
01THB25C	THB 25 M6	25	16	14	6	M6	8	8	√
01THB25D	THB 25 M8	25	16	14	6	M8	8	10	√
01THB30B	THB 30 M5	30	19	17	7	M5	11	12	√
01THB30C	THB 30 M6	30	19	17	7	M6	11	12	√
01THB30D	THB 30 M8	30	19	17	7	M8	11	13	√
01THB30E	THB 30 M10	30	19	17	7	M10	11	13	√
01THB40C	THB 40 M6	40	25	21	11	M6	16	22	√
01THB40D	THB 40 M8	40	25	21	11	M8	16	24	√
01THB40E	THB 40 M10	40	25	21	11	M10	16	26	√
01THB50C	THB 50 M6	50	30	24	13	M6	16	38	√
01THB50D	THB 50 M8	50	30	24	13	M8	16	35	√
01THB50E	THB 50 M10	50	30	24	13	M10	16	32	√
01THB50F	THB 50 M12	50	30	24	13	M12	16	29	√
01THB60D	THB 60 M8	60	38	28	17	M8	22	68	√
01THB60E	THB 60 M10	60	38	28	17	M10	22	71	√
01THB60F	THB 60 M12	60	38	28	17	M12	22	75	√

<b>01THB60N</b>	THB 60 M14	60	38	28	17	M14	22	72	√
<b>01THB60P</b>	THB 60 M16	60	38	30	17	M16	22	70	√
<b>01THB80E</b>	THB 80 M10	80	39	30	17	M10	22	95	√
<b>01THB80F</b>	THB 80 M12	80	39	30	17	M12	22	92	√
<b>01THB80N</b>	THB 80 M14	80	39	30	17	M14	22	90	√
<b>01THB80P</b>	THB 80 M16	80	39	30	17	M16	22	86	√
<b>01THB80Q</b>	THB 80 M20	80	39	30	17	M20	22	84	√

#### Material

Polyamide-based (PA) technopolymer. Resistant to organic and inorganic chemical substances such as oils, greases, fuels and solvents.

#### Colour

Black with satin finish. Other colours for suitable quantities.

#### Insert

Brass. Special inserts on design, upon request for suitable quantities.

#### Remarks

Customization with logo and/or graphics, for suitable quantities.

#### Package

THB 20/25/30/40: 25 - 100 - 200 pcs.

THB 50/60/80: 10 - 50 - 100 pcs.