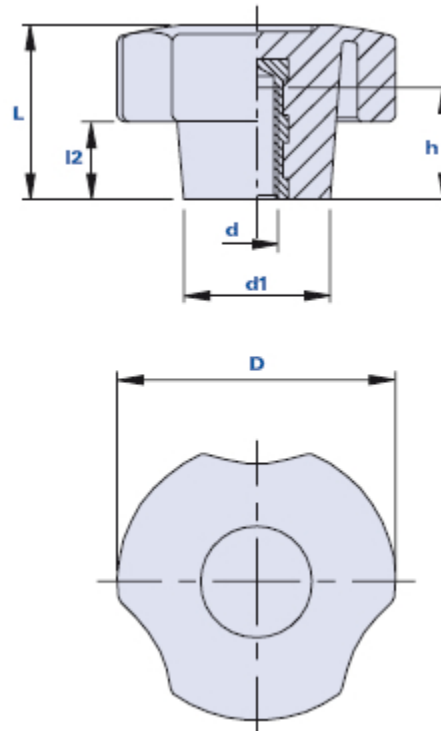


3-lobe knob with blind threaded nickel-plated bush



Code	Description	Dimensions				Insert		Weight grams	Stock
		D	L	d1	l2	d	h		
01THBN30C	THBN 30 M6	30	19	17	7	M6	11	12	-
01THBN40D	THBN 40 M8	40	25	21	11	M8	16	24	-
01THBN50E	THBN 50 M10	50	30	24	13	M10	16	32	√
01THBN60F	THBN 60 M12	60	38	28	17	M12	22	75	-

Material

Polyamide-based (PA) technopolymer. Resistant to organic and inorganic chemical substances such as oils, greases, fuels and solvents.

Colour

Black with satin finish. Other colours for suitable quantities.

Insert

Nickel-plated brass. Special inserts on design, on request for suitable quantities.

Remarks

Customization with logo and/or graphics, for suitable quantities.

Package

THBN 30/40: 25 - 100 - 200 pcs.

THBN 50/60: 10 - 50 - 100 pcs.