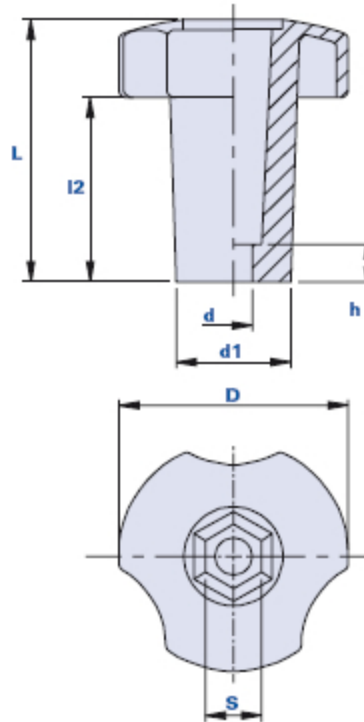


3-lobe knob with high hub and hexagonal seat for screws and nuts



How to order knob with cap:

Example: knob code 01THEA30CH10 with yellow cap = code 01THEA30CH10-G

Black cap:	Yellow cap:	Red cap:	Green cap:	Blue cap:	Orange cap:
Cod. + N	Cod. + G	Cod. + R	Cod. + V	Cod. + B	Cod. + A

The code below shows the product code without cap.

Code	Description	Dimensions							Weight grams	Stock
		D	L	d1	l2	h	d	s		
01THEA30CH10	THEA 30 CH10	30	23	17	12	5	6,5	10	22	√
01THEA50CH13	THEA 50 CH13	50	57	25	40	10	8,5	13	37	√
01THEA60CH17	THEA 60 CH17	60	61	22	39	15	11	17	49	√

Material

Polyamide-based (PA) technopolymer. Resistant to organic and inorganic chemical substances such as oils, greases, fuels and solvents.

Colour

Black with satin finish.
Other colours for suitable quantities.

Insert

Hexagonal seat for nuts and screws.

Cap on request

Cap black RAL 7021, orange RAL 2004, yellow RAL 1021, red RAL 3020, green RAL 6018, blue RAL 5015. Satin finish. Press-fit assembly, easily removable.

On request, customization with other colours, logo and/or graphics, for suitable quantities.

Remarks

On request, the item is delivered already assembled with the insert.

Package

50 - 100 - 200 pcs.