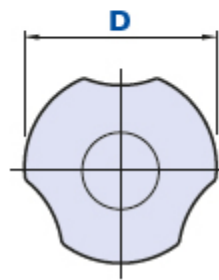
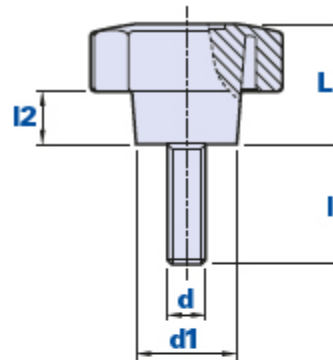


3-lobe knob with stainless steel threaded pin



inox

PA

-100
-30

RoHS

Code	Description	Dimensions				Insert		Weight grams	Stock
		D	L	d1	l2	d	l		
01THP20A10X	THPX 20 M4x10	20	13	13	5	M4	10	8	√
01THP20B30X	THPX 20 M5x30	20	13	13	5	M5	30	10	√
01THP25C20X	THPX 25 M6x20	25	16	14	6	M6	20	10	√
01THP30B40X	THPX 30 M5x40	30	19	17	7	M5	40	16	√
01THP30C10X	THPX 30 M6x10	30	19	17	7	M6	10	14	√
01THP30C15X	THPX 30 M6x15	30	19	17	7	M6	15	15	√
01THP30C20X	THPX 30 M6x20	30	19	17	7	M6	20	16	√
01THP30C25X	THPX 30 M6x25	30	19	17	7	M6	25	16	√
01THP30D20X	THPX 30 M8x20	30	19	17	7	M8	20	16	√
01THP30D25X	THPX 30 M8x25	30	19	17	7	M8	25	16	√
01THP30D40X	THPX 30 M8x40	30	19	17	7	M8	40	20	-
01THP40D15X	THPX 40 M8x15	40	25	21	11	M8	15	25	√
01THP40D20X	THPX 40 M8x20	40	25	21	11	M8	20	30	√
01THP40D25X	THPX 40 M8x25	40	25	21	11	M8	25	34	√
01THP40D30X	THPX 40 M8x30	40	25	21	11	M8	30	37	√
01THP40D35X	THPX 40 M8x35	40	25	21	11	M8	35	39	-
01THP40D40X	THPX 40 M8x40	40	25	21	11	M8	40	41	√
01THP40D50X	THPX 40 M8x50	40	25	21	11	M8	50	43	√
01THP50D60X	THPX 50 M8x60	50	30	24	13	M8	60	70	√
01THP50E20X	THPX 50 M10x20	50	30	24	13	M10	20	57	-
01THP50E30X	THPX 50 M10x30	50	30	24	13	M10	30	62	√

01THP50E40X	THPX 50 M10x40	50	30	24	13	M10	40	66	√
01THP50E50X	THPX 50 M10x50	50	30	24	13	M10	50	71	√
01THP60F20X	THPX 60 M12x20	60	38	28	17	M12	20	105	-
01THP60F30X	THPX 60 M12x30	60	38	28	17	M12	30	108	-
01THP60F40X	THPX 60 M12x40	60	38	28	17	M12	40	120	-
01THP60F50X	THPX 60 M12x50	60	38	28	17	M12	50	130	-

Material

Polyamide-based (PA) technopolymer. Resistant to organic and inorganic chemical substances such as oils, greases, fuels and solvents.

Colour

Black with satin finish.

Other colours for suitable quantities.

Insert

Stainless steel AISI 304.

Remarks

Customization with logo and/or graphics, for suitable quantities.

Package

THPX 30/40: 25 - 100 - 200 pcs.

THPX 50/60: 10 - 50 - 100 pcs.